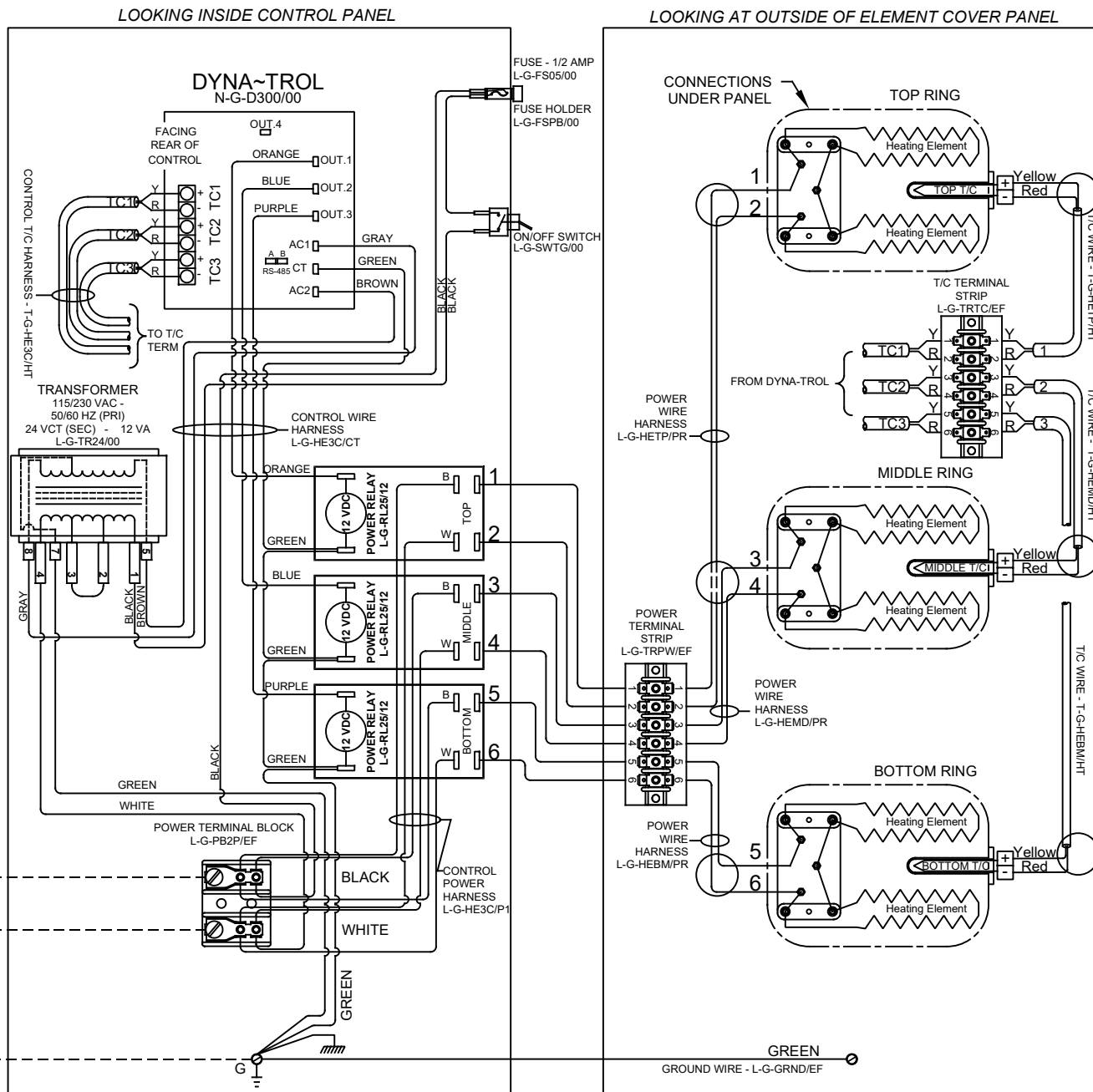


**NOTES:**

Control Wire:  
16 AWG, 105°C  
Power Wire:  
10 AWG, 150°C

Industrial & commercial applications may require the installation of a LOCKOUT/TAGOUT device to prevent the Kiln from operating during maintenance.

This Kiln is recommended to be wired & connected to an approved U. L. & NEC configured receptacle controlled with a disconnect switch and properly fused according to the KW load specification listed on the Kiln Nameplate. L&L Kiln Mfg., Inc., also recommends fuses rather than circuit breakers to prevent nuisance tripping.



Model e18T-220			
VOLTAGE	220 / 1 / 50-60		
WATTS	8,400		
FULL LOAD AMPS	L1	L2	L3
	38.2	38.2	
POWER SUPPLY	FUSE	WIRE	
	50A	6AWG	
ELEMENTS E-E-18TL/41	QTY	OHMS	
	6	8.32	

**SAFETY SWITCH BY CUSTOMER**  
Connect to  
220 Volt, 2 Wire, Single Phase  
50 or 60 Cycles.