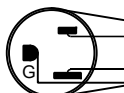


NOTES:

Control Wire:
16 AWG, 105°C
Power Wire:
10 AWG, 150°C

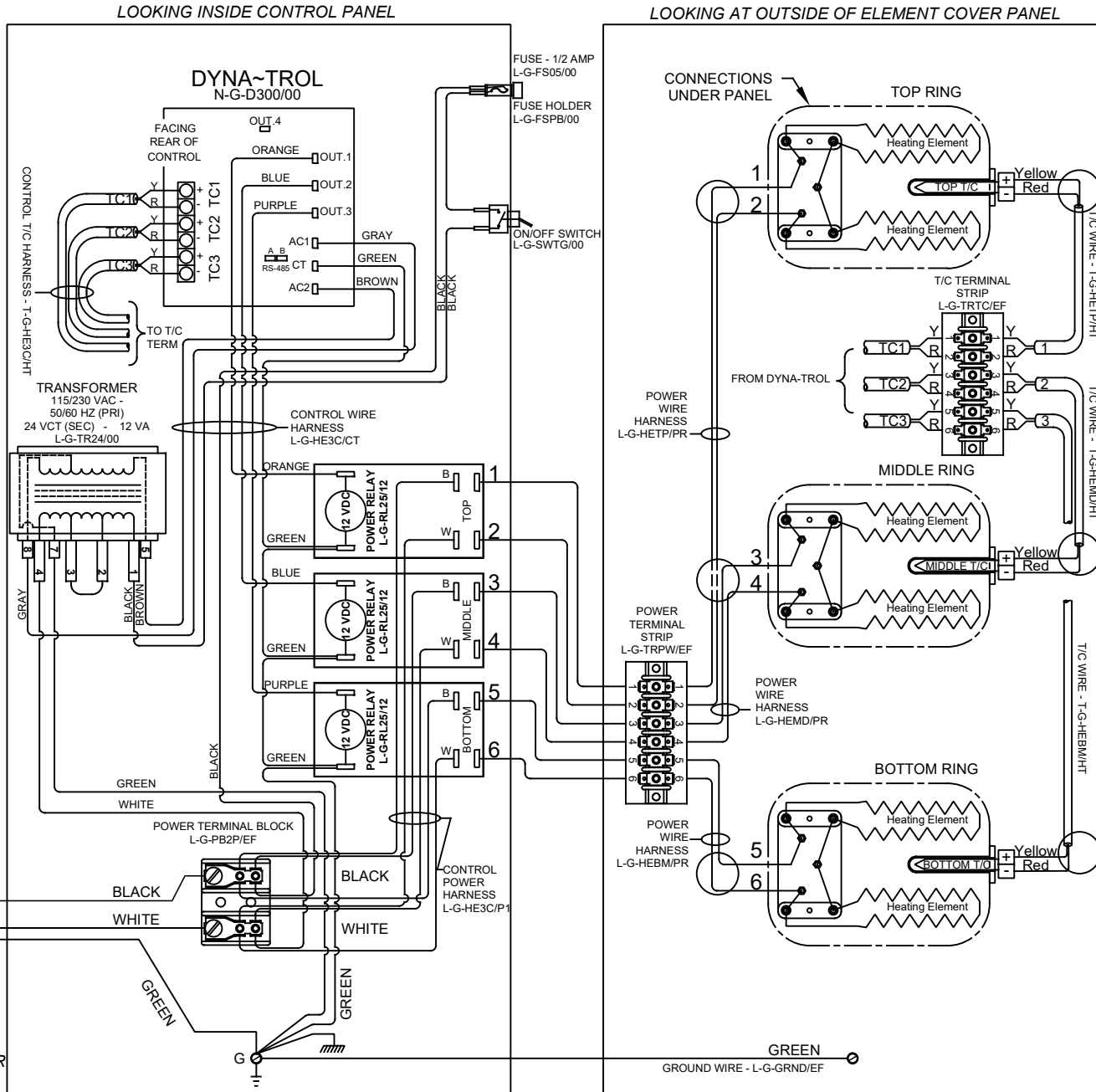
Industrial & commercial applications may require the installation of a LOCKOUT/TAGOUT device to prevent the Kiln from operating during maintenance.

This Kiln is recommended to be wired & connected to an approved U. L. & NEC configured receptacle controlled with a disconnect switch and properly fused according to the KW load specification listed on the Kiln Nameplate. L&L Kiln Mfg., Inc., also recommends fuses rather than circuit breakers to prevent nuisance tripping.



PLUG
208/240 VAC 1Ø
NEMA 6-50P
L-G-PC50/72

SAFETY SWITCH BY CUSTOMER
Connect to
240 Volt, 2 Wire, Single Phase - or
208 Volt, 2 Wire, Single Phase
50 or 60 Cycles.



Model e18T-208	
VOLTAGE	208 / 1 / 50-60
WATTS	8,400
FULL LOAD AMPS	L1 L2 L3 40.4 40.4
POWER SUPPLY	FUSE WIRE 60A 6AWG
ELEMENTS	QTY OHMS 6 7.44

Model e18T-240	
VOLTAGE	240 / 1 / 50-60
WATTS	8,400
FULL LOAD AMPS	L1 L2 L3 35.0 35.0
POWER SUPPLY	FUSE WIRE 50 A 6 AWG
ELEMENTS	QTY OHMS 6 9.9

REV. #	DATE	REVISION DESCRIPTION