

NOTES:

Control Wire:
16 AWG, 105°C
Power Wire:
10 AWG, 150°C

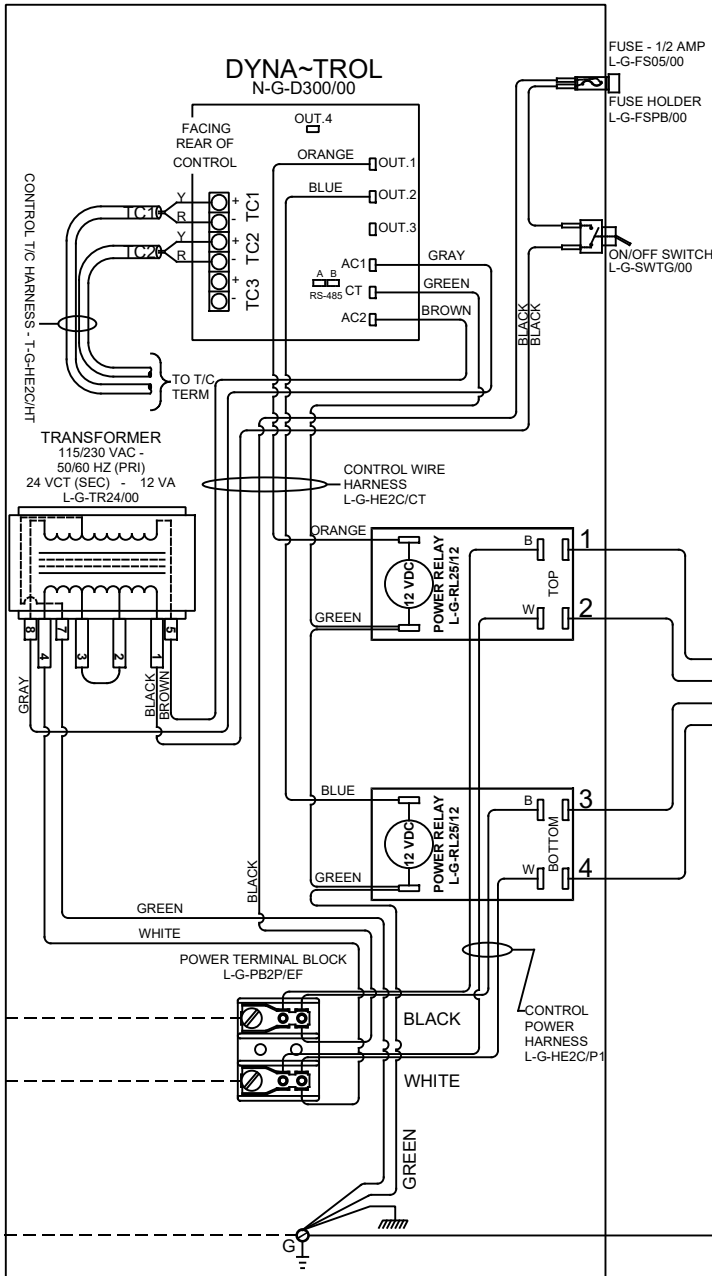
Industrial & commercial applications may require the installation of a LOCKOUT/TAGOUT device to prevent the Kiln from operating during maintenance.

This Kiln is recommended to be wired & connected to an approved U. L. & NEC configured receptacle controlled with a disconnect switch and properly fused according to the KW load specification listed on the Kiln Nameplate. L&L Kiln Mfg., Inc., also recommends fuses rather than circuit breakers to prevent nuisance tripping.

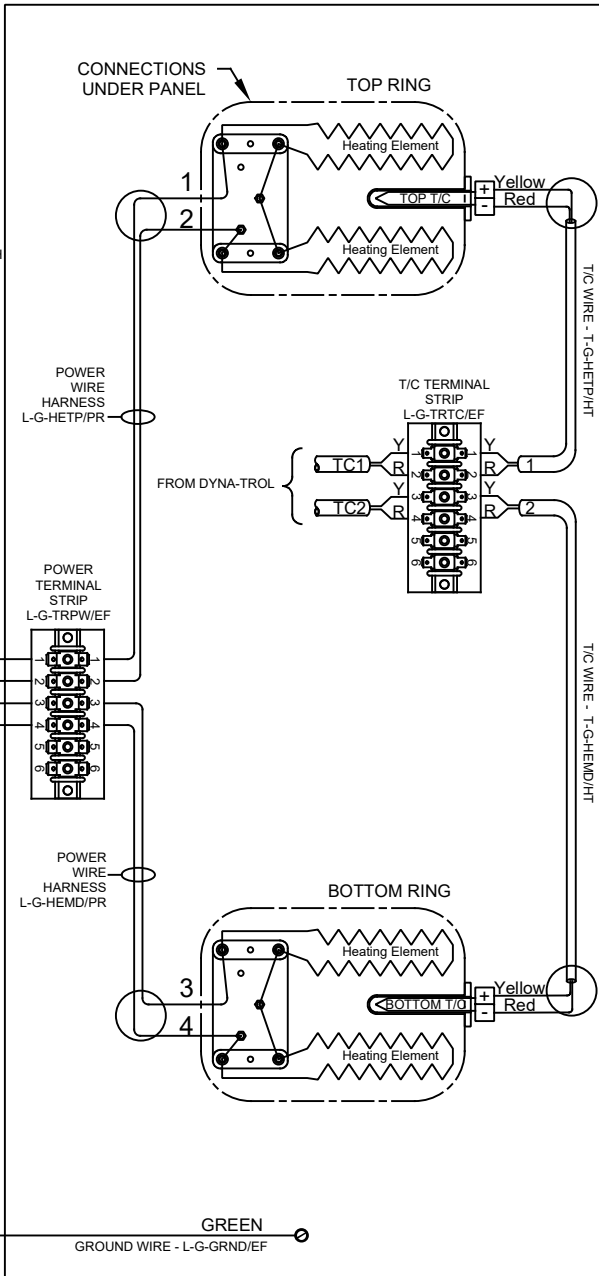


SAFETY SWITCH BY CUSTOMER
Connect to
220 Volt, 2 Wire, Single Phase
50 or 60 Cycles.

LOOKING INSIDE CONTROL PANEL



LOOKING AT OUTSIDE OF ELEMENT COVER PANEL



Model
e18S-220

VOLTAGE	220 / 1 / 50-60		
WATTS	5,268		
FULL LOAD AMPS	L1	L2	L3
	23.9	23.9	
POWER SUPPLY	FUSE	WIRE	
	30A	10 AWG	
ELEMENTS E-E-18SL/41	QTY	OHMS	
	4	8.84	

DRAWING NO. E281-400 SHEET OF 1/1 REV 0



505 SHARPTOWN RD.
SWEDESBORO, NJ 08065
PHONE: (856) 294-0077
FAX: (856) 294-0070

TITLE MODEL E18S EASY-FIRE KILN
220V 1 PHASE WIRING DIAGRAM

SCALE 1 = 8

DATE 10/08/19

DRAWN BY T.C.G.

FILE NAME \E281-400.DWG

MADE FROM \K284-151.dwg

REV. #	DATE	REVISION DESCRIPTION