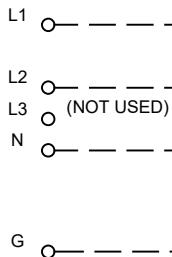


**NOTES:**

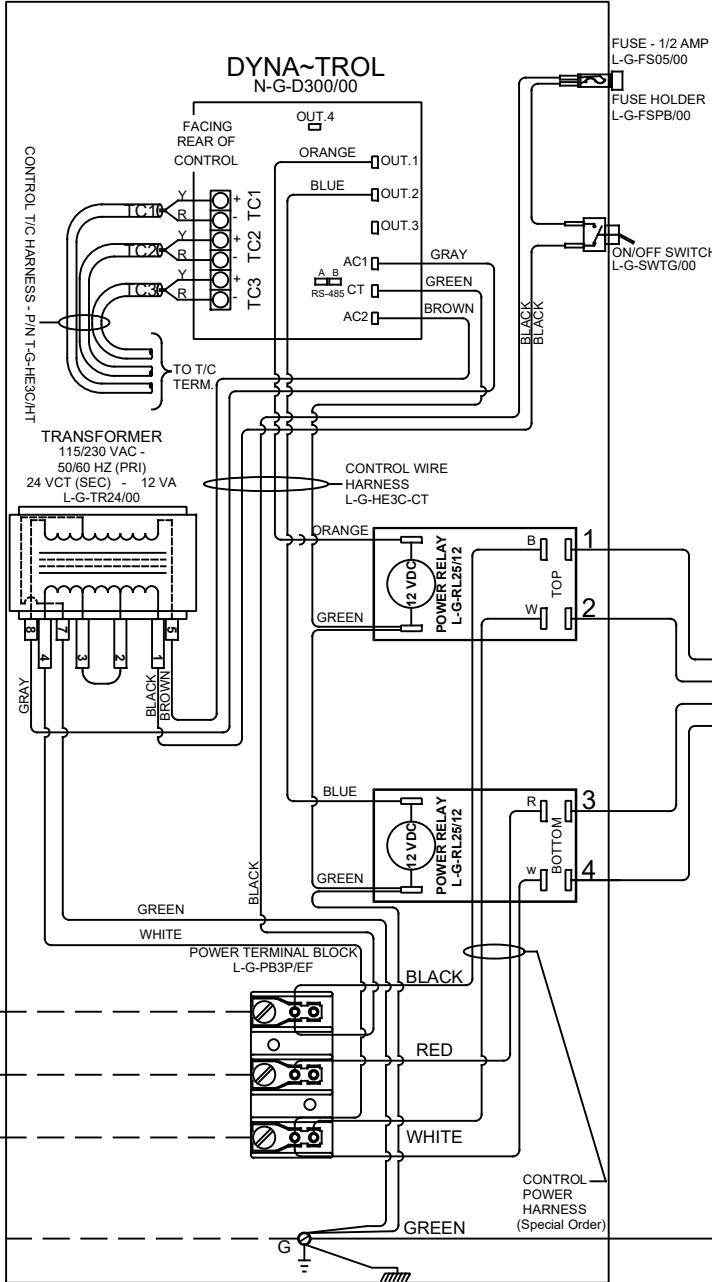
Control Wire:  
16 AWG, 105°C  
Power Wire:  
10 AWG, 150°C

Industrial & commercial applications may require the installation of a LOCKOUT/TAGOUT device to prevent the Kiln from operating during maintenance.

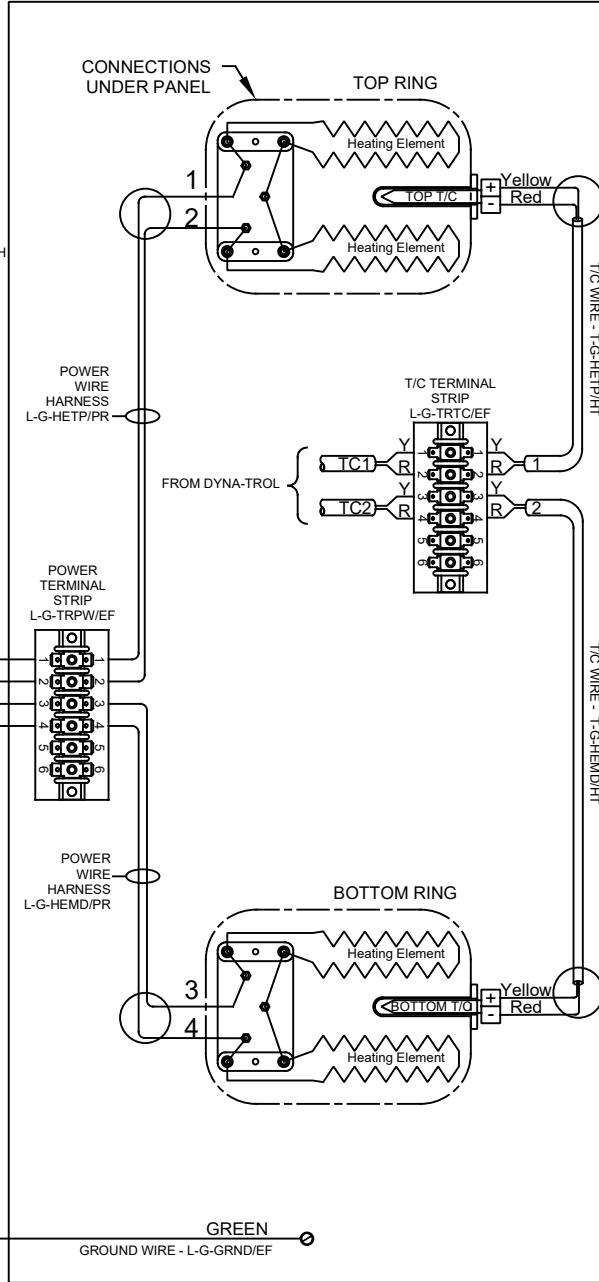
This Kiln is recommended to be wired & connected to an approved U. L. & NEC configured receptacle controlled with a disconnect switch and properly fused according to the KW load load specification listed on the Kiln Nameplate. L&L Kiln Mfg., Inc., also recommends fuses rather than circuit breakers to prevent nuisance tripping.



**LOOKING INSIDE CONTROL PANEL**



**LOOKING AT OUTSIDE OF ELEMENT COVER PANEL**



Model e18S-380-3PY			
VOLTAGE	380 / 3-Y / 50-60		
WATTS	5,268		
FULL LOAD AMPS	L1	L2	L3
	12	12	0
POWER SUPPLY	FUSE	WIRE	
	15A	14 AWG	
ELEMENTS	QTY	OHMS	
	4	8.84	

Model e18S-400-3PY			
VOLTAGE	400 / 3-Y / 50-60		
WATTS	5982		
FULL LOAD AMPS	L1	L2	L3
	13	13	0
POWER SUPPLY	FUSE	WIRE	
	20	14 AWG	
ELEMENTS	QTY	OHMS	
	4	8.84	

Model e18S-415-3PY			
VOLTAGE	415 / 3-Y / 50-60		
WATTS	5740		
FULL LOAD AMPS	L1	L2	L3
	12	12	0
POWER SUPPLY	FUSE	WIRE	
	15A	14 AWG	
ELEMENTS	QTY	OHMS	
	4	9.66	

**SAFETY SWITCH BY CUSTOMER**

Connect to  
380V or 400V or 415V Volt, 4 Wire, 3 Phase Wye  
50 or 60 Cycles.

REV. #	DATE	REVISION DESCRIPTION