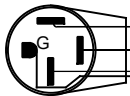


NOTES:

Control Wire:
16 AWG, 105°C
Power Wire:
10 AWG, 150°C

Industrial & commercial applications may require the installation of a LOCKOUT/TAGOUT device to prevent the Kiln from operating during maintenance.

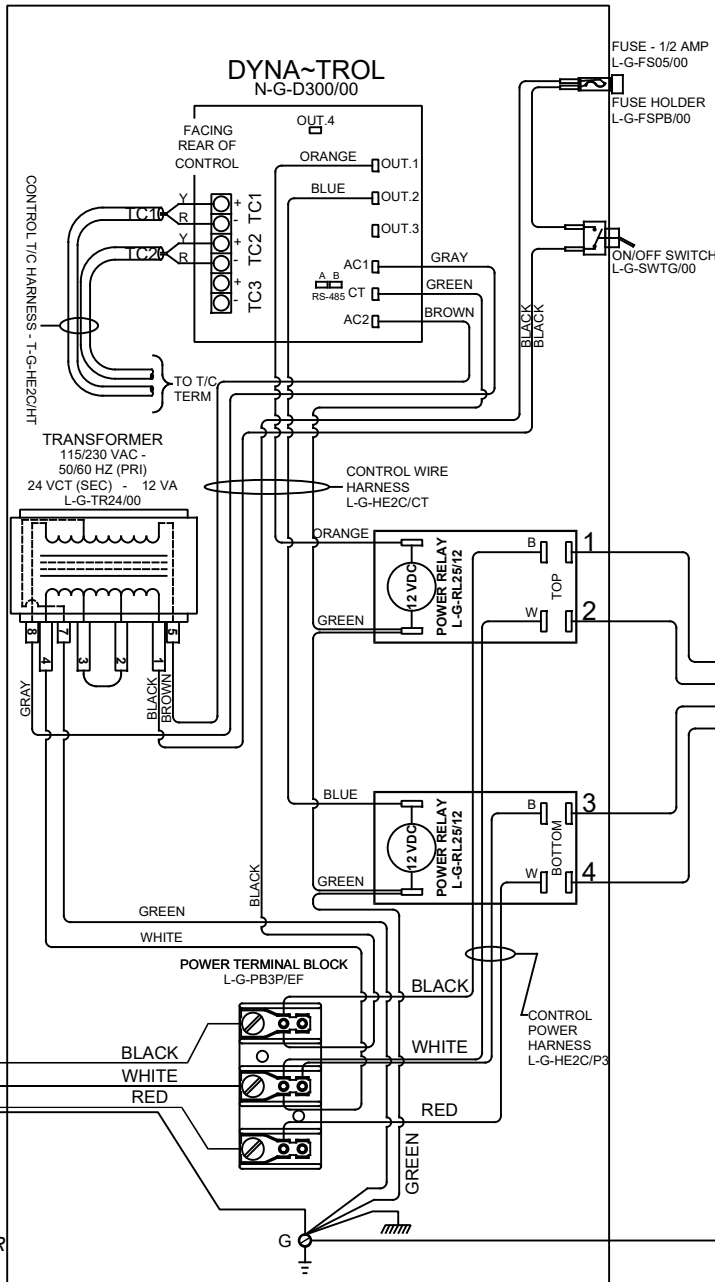
This Kiln is recommended to be wired & connected to an approved U. L. & NEC configured receptacle controlled with a disconnect switch and properly fused according to the KW load specification listed on the Kiln Nameplate. L&L Kiln Mfg., Inc., also recommends fuses rather than circuit breakers to prevent nuisance tripping.



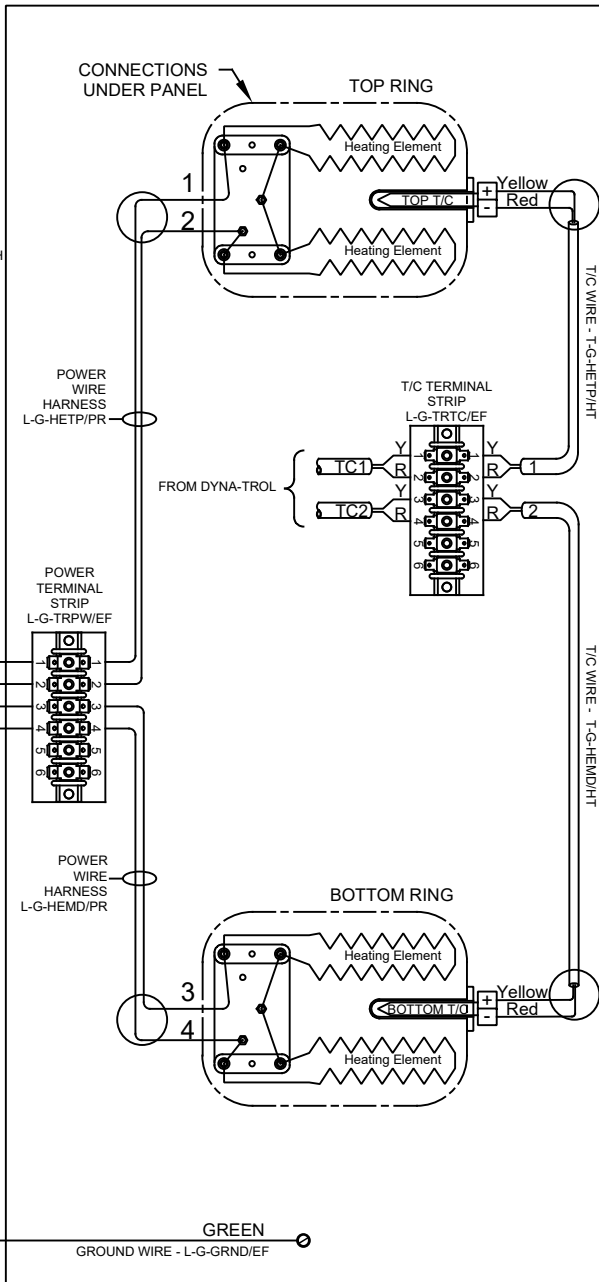
PLUG
208/240 VAC 3Ø
NEMA 15-50P
L-G-PC50/3P

SAFETY SWITCH BY CUSTOMER
Connect to
240 Volt, 2 Wire, Single Phase - or
208 Volt, 2 Wire, Single Phase
50 or 60 Cycles.

LOOKING INSIDE CONTROL PANEL



LOOKING AT OUTSIDE OF ELEMENT COVER PANEL



Model e18S-208-3P			
VOLTAGE	208 / 3 / 50-60		
WATTS	4,980		
FULL LOAD AMPS	L1	L2	L3
	20.7	12.0	12.0
POWER SUPPLY	FUSE	WIRE	
	30A	10 AWG	
ELEMENTS E-E-18SL/21	QTY	OHMS	
	4	8.36	

Model e18S-240-3P			
VOLTAGE	240 / 3 / 50-60		
WATTS	5,740		
FULL LOAD AMPS	L1	L2	L3
	20.7	12.0	12.0
POWER SUPPLY	FUSE	WIRE	
	30A	10 AWG	
ELEMENTS E-E-18SL/31	QTY	OHMS	
	4	9.66	

REV. #	DATE	REVISION DESCRIPTION