

**USE WITH FOLLOWING
KILN ASSEMBLIES:**

MODEL	WIRING DIAGRAM
J23-PB	K035-113
J2918-PB	K042-113

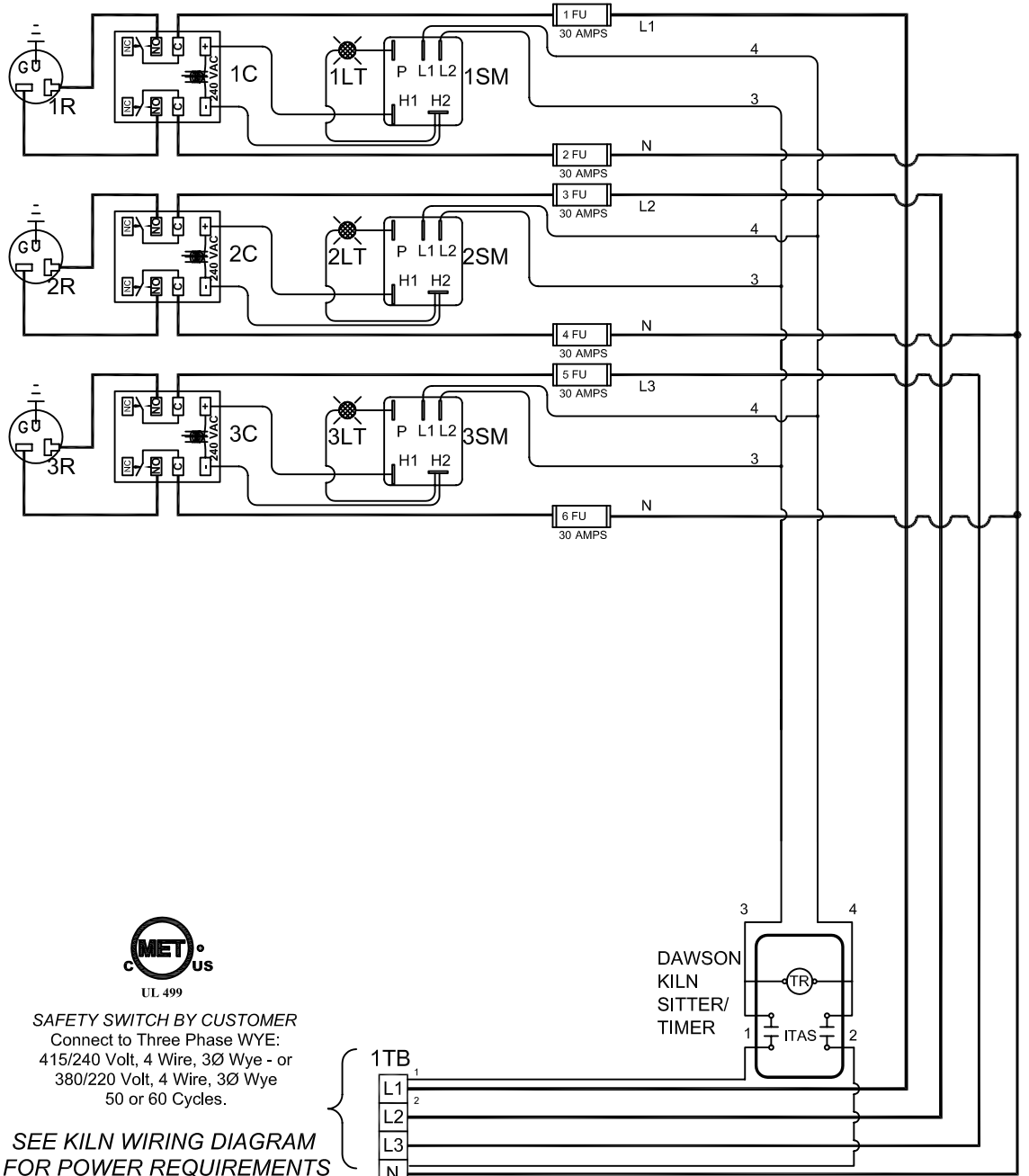
**SEE KILN
WIRING DIAGRAM
PLUG KILN SECTION
CAPS INTO RESPECTIVE
RECEPTACLES**

NOTES:

Control Wire:
14 AWG, SEWF, 150°C
Power Wire:
14 AWG, SEWF, 150°C

Industrial & commercial applications may require the installation of a LOCKOUT/TAGOUT device to prevent the Kiln from operating during maintenance.

This Kiln is recommended to be wired & connected to an approved U. L. & NEC configured disconnect switch and properly fused according to the KW load specification listed on the Kiln Nameplate. L&L Kiln Mfg., Inc., also recommends fuses rather than circuit breakers to prevent nuisance tripping.



SAFETY SWITCH BY CUSTOMER
Connect to Three Phase WYE:
415/240 Volt, 4 Wire, 3Ø Wye - or
380/220 Volt, 4 Wire, 3Ø Wye
50 or 60 Cycles.

**SEE KILN WIRING DIAGRAM
FOR POWER REQUIREMENTS**

SWITCHING CAPACITY = 25 AMPS MAXIMUM

DAWSON
KILN
SITTER/
TIMER

CONTROL BOX: SHOP P/N Y-PAN-J230CT-A1, DWG #K262-201
CONTROL BOX COVER: SHOP P/N Y-PAN-J230MC-A2, DWG # K262-321

ELECTRICAL PARTS LIST

SYMBOL	QTY	DESCRIPTION	SHOP PART NO.	CUSTOMER PART NO.
1TB	2	POWER CONNECTION BOARD	E-TER-2X6095-A1	L-J-PBSM/01
1TAS	1	DAWSON KILN SITTER	T-DAW-LT3240-A1	N-G-LT30/00
1TAS	1 (OPT)	50 HZ DAWSON KILN SITTER	T-DAW-LT3240-A2	N-G-LT30/50
SM (240)	3	INPUT ZONE SWITCHES	E-INF-240XXX-A1	L-J-INF0/30
SM (208)	3	INPUT ZONE SWITCHES	E-INF-208XXX-A1	L-J-INF0/20
LT	3	INPUT ZONE PILOT LIGHTS	E-PIL-SR250V-A1	L-G-PIL0/00
C	3	POWER RELAYS	E-CNT-E30240-C1	L-G-RL25/30
R	3	SINGLE RECEPTACLE NEMA 6-20R	E-REC-S20250-A1	L-J-SR20/00
FU(B)	3	ELEMENT BRANCH CIRC FUSEBLOCKS	E-FUB-H20302-A1	L-G-FH30/20
FU(S)	6	ELEMENT BRANCH CIRCUIT FUSES	E-FUS-NN2030-A1	L-G-FS30/NL



505 SHARPTOWN ROAD
SWEDSBORO, NJ 08085

PHONE: (856) 294-0077
FAX: (856) 294-0070

**TITLE CONTROL WIRING DIAGRAM
WITH MANUAL INPUT SWITCHES**
For 3Ø-Wye KILN with (2) 20 Amp Sections
Branch Circuit Fusing / With Power Bottom

DRAWN BY G.D.L.	REV. CODE	DRAWING NO.
DATE 2/14/06	SCALE 1 = 8	0 K263-111
CHK G.D.L.	APP	
JOB NO	SER NO	SHEET NO. OF
FILE NAME L:\EVL\KILN\WIRING\GCTL\1380\K263-111.dwg	MADE FROM	WIRDCRTLK262-109.dwg