

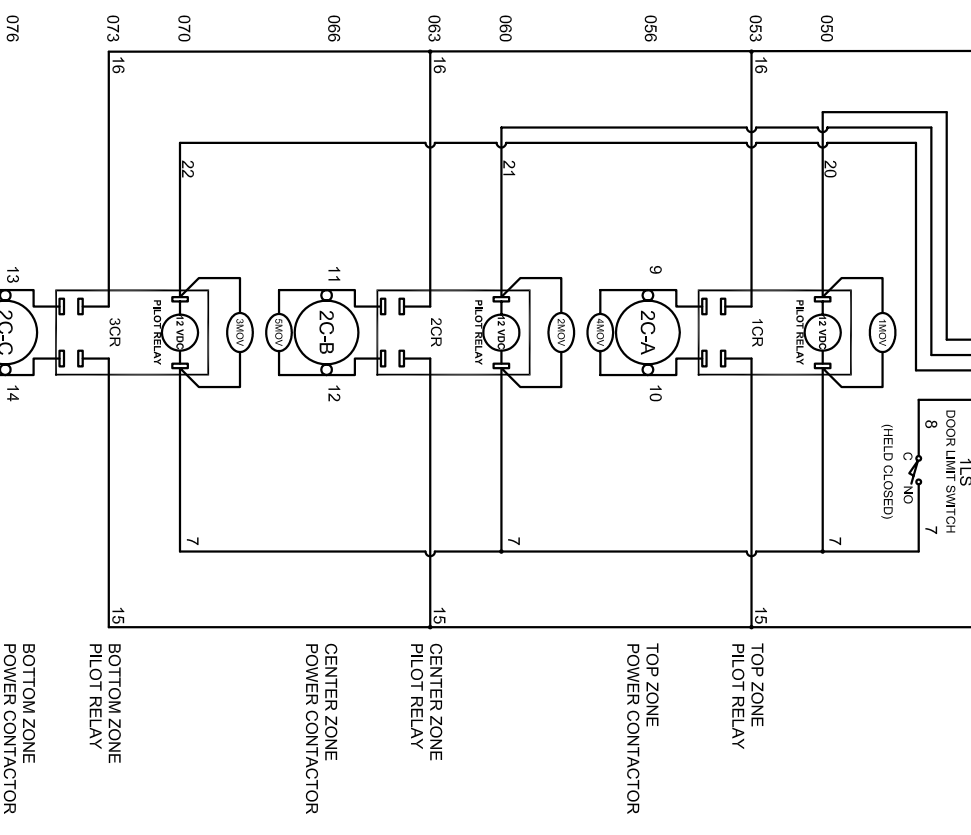
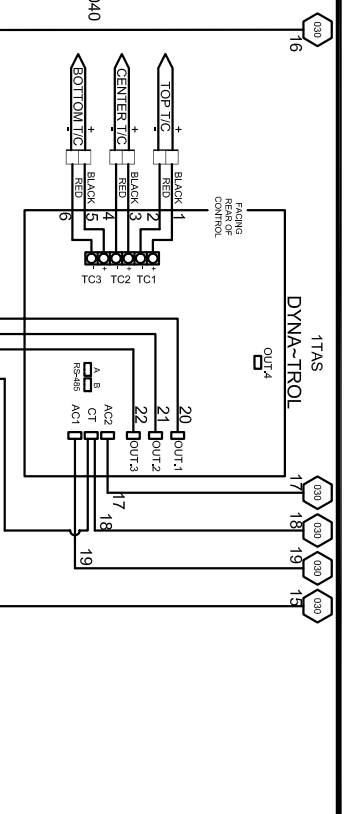
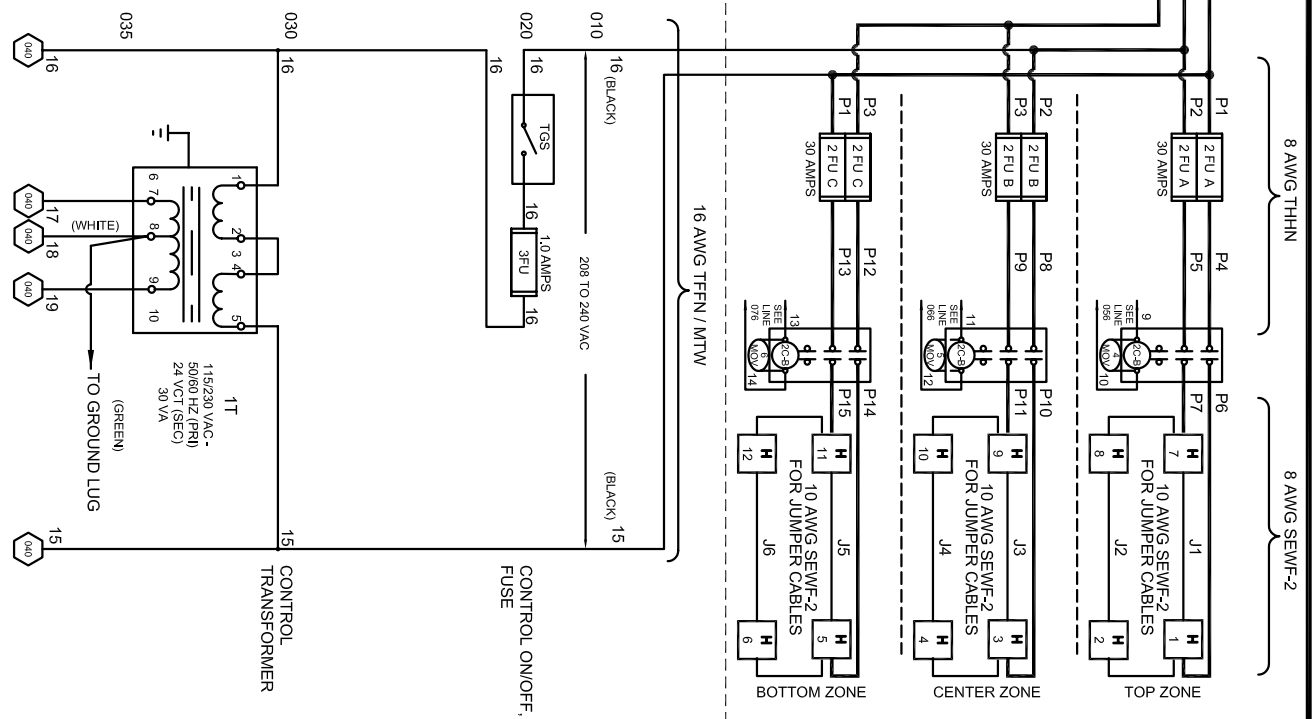
FUSED DISCONNECT  
BY OTHERS  
208/3/60 OR 240/3/60



SAFETY SWITCH BY CUSTOMER  
Connected to 208 OR 240 Volt, 3 Phase  
50 or 60 Cycles.  
SEE POWER  
REQUIREMENT TABLE

POWER REQUIREMENTS	
VOLTAGE	208 /3 / 60
KW	14.75
H.P.	N/A
FULL LOAD AMPS	L1 14.1, L2 14.1, L3 14.1
POWER REQUIREMENTS	
VOLTAGE	240 /3 / 60
KW	16.5
H.P.	N/A
FULL LOAD AMPS	L1 16.5, L2 16.5, L3 16.5

WIRE IDENTIFICATION IS  
ALSO PIN NUMBER FOR  
16-PIN CONNECTOR.



MEET US  
L.L. 499

DRAWING NO. K241-151  
SHEET 0<sup>th</sup> OF 1/2  
REV 0

L & L SPECIAL FURNACE CO., INC.  
30 EAST 10<sup>th</sup> ST. #2, NEW YORK, NY 10003  
TITLE: RENAISSANCE R2427 WIRING DIAGRAM  
208 or 240 Vac / 3 Phase / 50 or 60 Hz

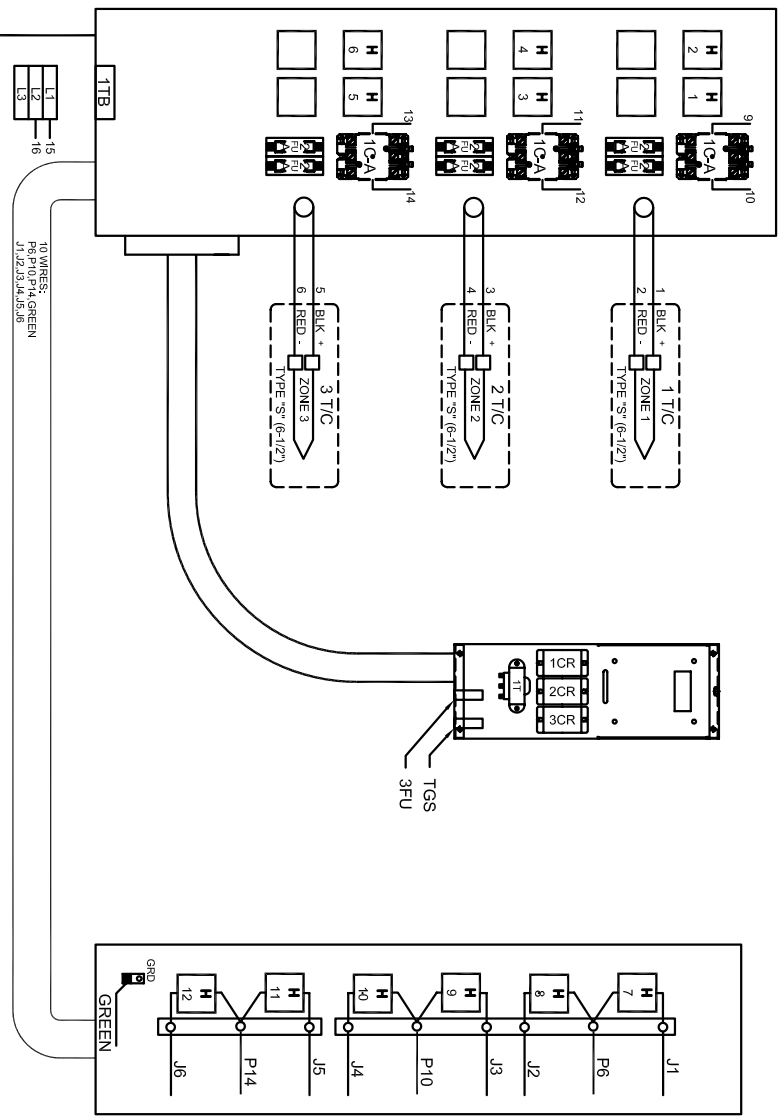
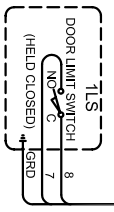
SCALE: 1 = 10  
DATE: 10/19/06

DRAWN BY: D.J.C.

FILE NAME: L.L.L.L.KILN1  
REVISIONS: RENAISSANCE K241-151.dwg  
MADE FROM: 350572-21.dwg

- NOTES**
- 1) All electrical feeders & equipment will be supplied & installed by the customer. meeting requirements set by the local & national electrical code standards. L & L recommends any such installation be approved by a certified electrical inspector.
  - 2) For Kilns not equipped with a fused safety disconnect switch, L & L recommends the customer to install such equipment within 6 feet of operating furnace.
  - 3) Industrial & commercial applications may require the installation of a LOOKOUT/TAG/OUT device to meet safety & maintenance requirements.
  - 6) Wire gauge and insulation of Power Wires and Control Circuit Wires are as marked.
  - 7) Power Wire Color is Black, and wires are numbered as marked.
  - 8) Control Circuit Wires are numbered as marked, and colors are:
    - \*WHITE = 8, 18
    - GRAY = 17
    - BROWN = 19
    - ORANGE = 20
    - BLUE = 21
    - PURPLE = 22
    - BLACK = 7, 9 - 16
    - BLACK = TC+ = 1, 3, 5
    - RED = TC- 2, 4, 6

16 AWG  
THHN



10 WIRES:  
P6 P10 P14 GREEN  
J1 J2 J3 J4 J5 J6



UL 499

DRAWING NO.	SHEET OF	REV	L & L SPECIAL FURNACE CO. INC	TITLE	SCALE	DATE	DRAWN BY	FILE NAME	MADE FROM
K241-151	2/2	0	20 YEARS OF SERVICE EST. 1988	RENAISSANCE R24Z7 WIRING DIAGRAM 208 or 240 Vac / 3 Phase / 50 or 60 Hz	1 = 10	10/19/06	D.J.C.	L:\ALLKILN RENAISSANCE\K241-151.dwg	350572-1.dwg
REV #		DATE	REVISION DESCRIPTION						
1									
2									
3									