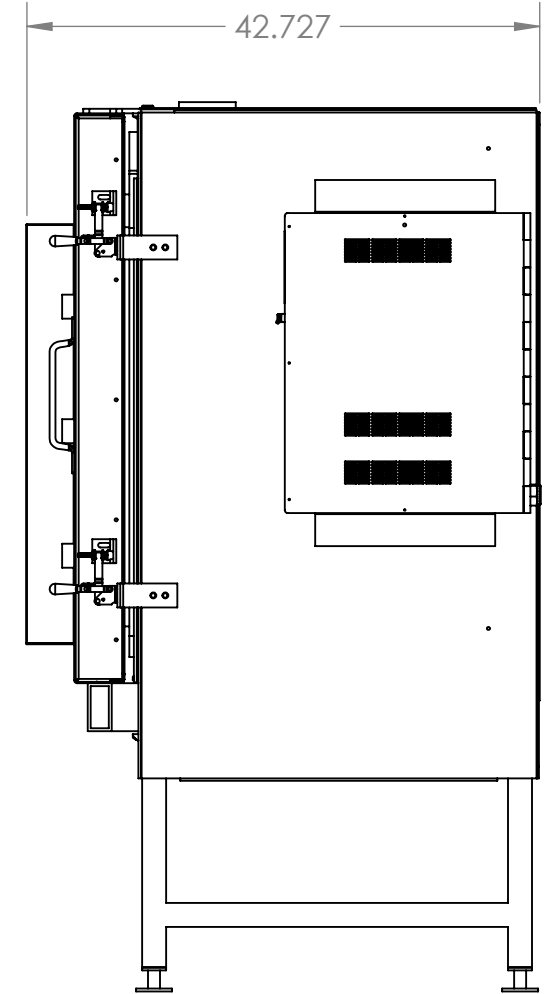
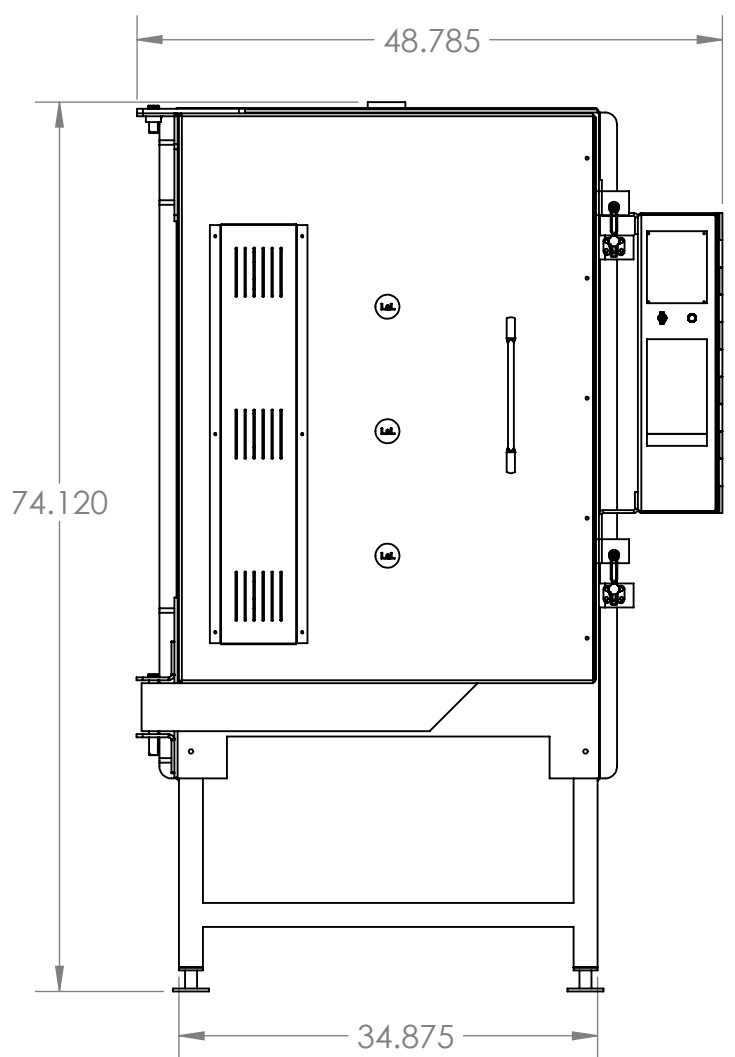
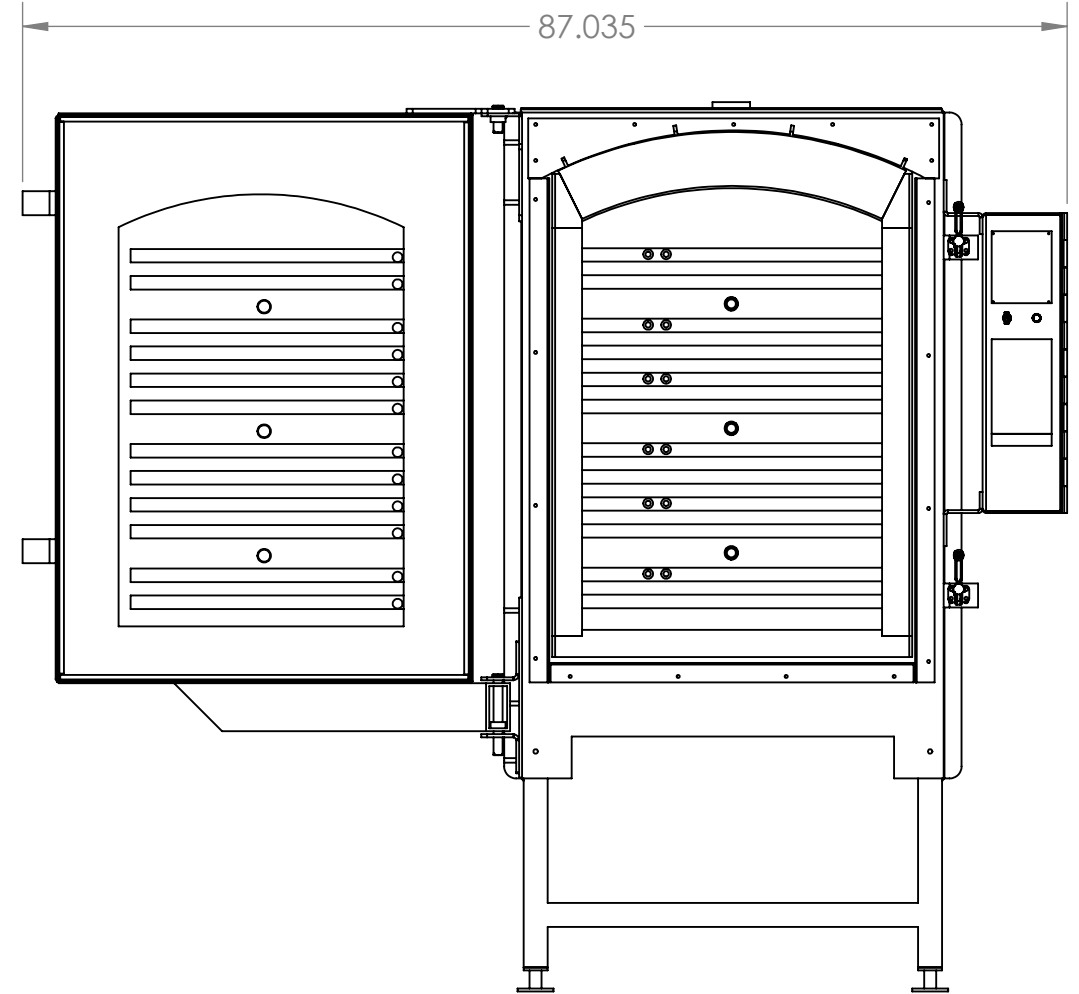
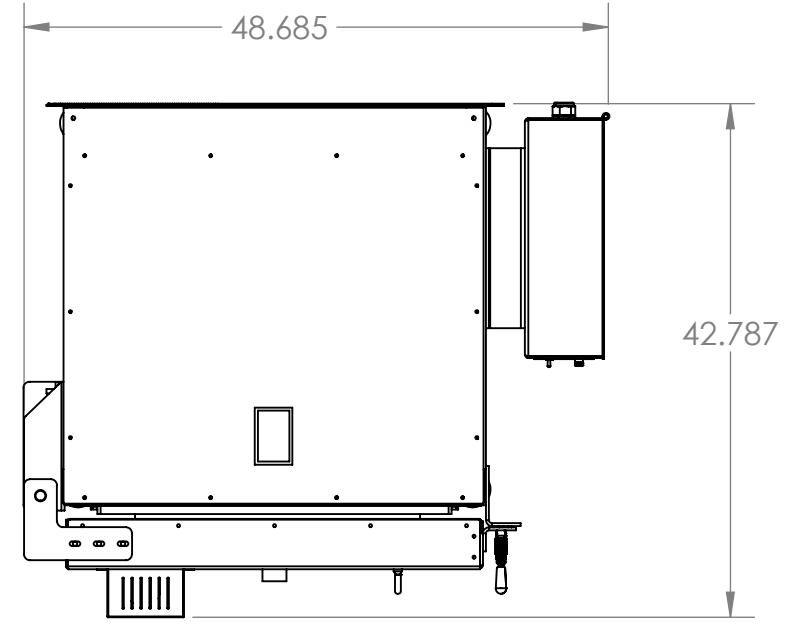
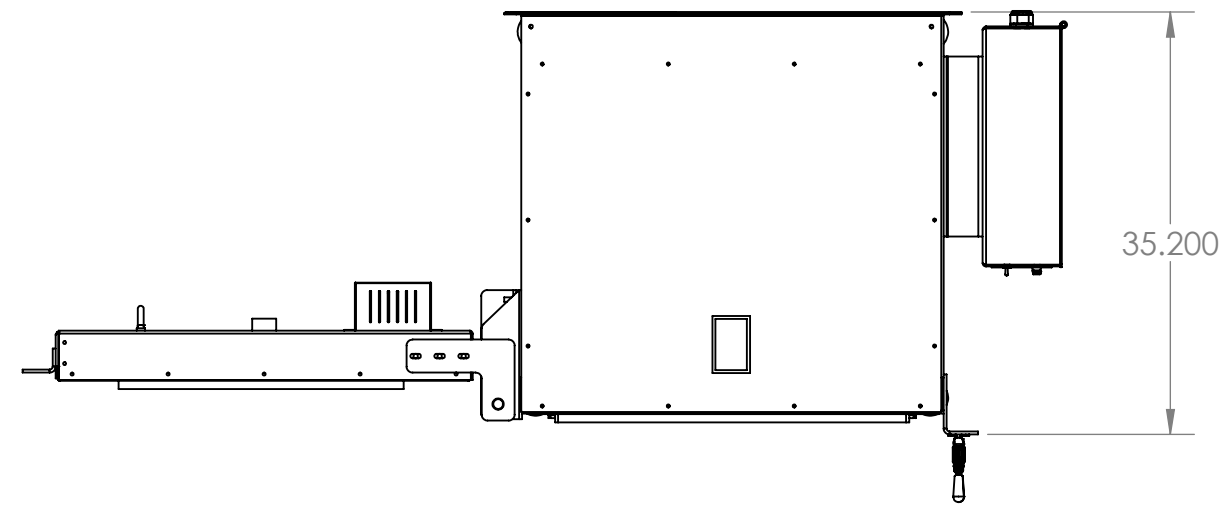


8 7 6 5 4 3 2 1

D
C
B
A

D
C
B
A



THE INFORMATION CONTAINED IN THIS DRAWING IS THE SOLE PROPERTY OF L&L KILN MFG INC. ANY REPRODUCTION IN PART OR AS A WHOLE WITHOUT THE WRITTEN PERMISSION OF L&L KILN MFG INC. IS PROHIBITED.

FILE NAME
E:\matt\Easy
Load\EL2436\Sept2013 update\

MADE FROM
NEW

DRAWN BY
MH

DATE
09/26/13

SCALE
1:16

TITLE

Model EL2436
General Dimension Drawing

REV#	REV DATE	REVISION DESCRIPTION
0		

505 SHARPTOWN RD
SWEDESBORO NJ 08085
PH: (856) 294-0077
FAX: (856) 294-0070

REV SHEET OF DRAWING NO.
0 1/1 K384-200

8 7 6 5 4 3 2 1