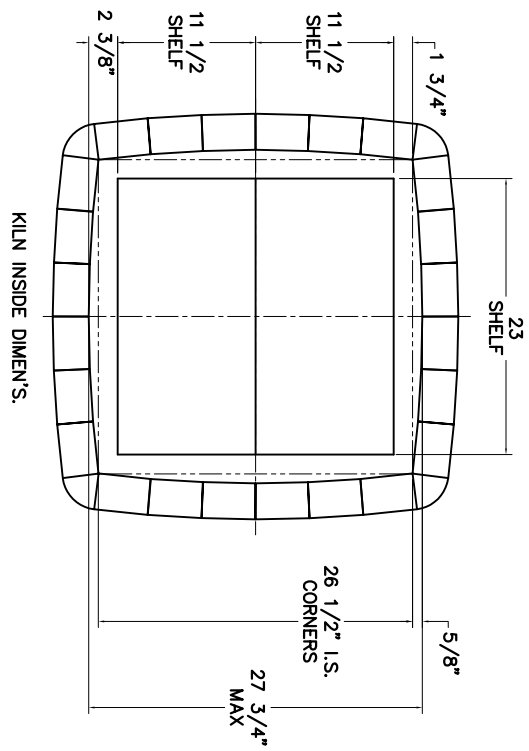


XB2818 Series - Major Specifications

Cubic Feet: 7.8

Ship Weight: 975 lbs, with Furniture Kit: 1045 lbs

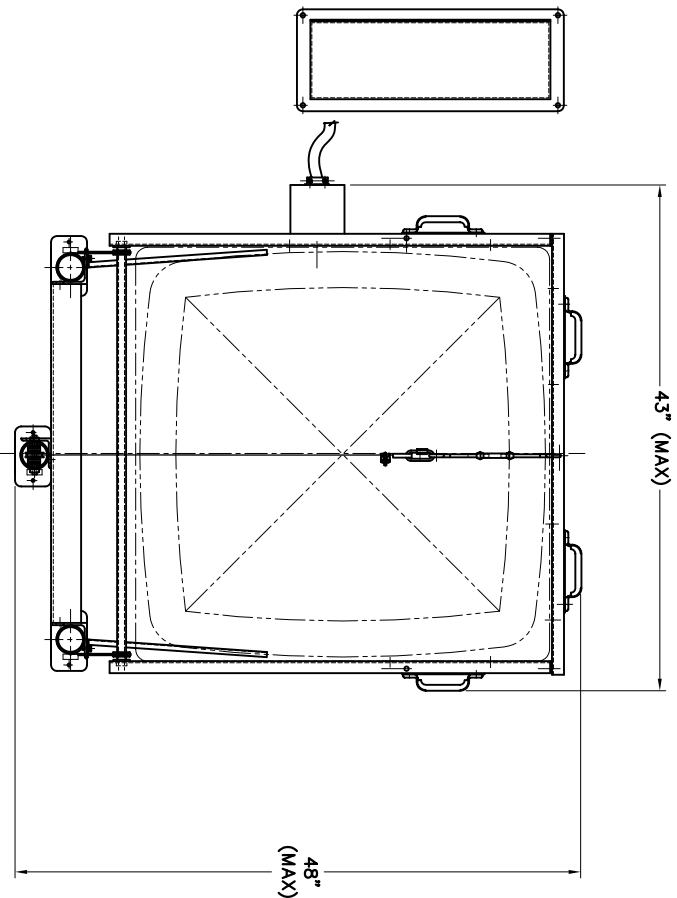


XB2818 (Standard KW)

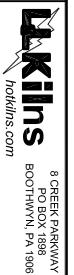
KW	Full Load Amps	Fuse Amps	Hook-up Wire Size	UL Listing
11.59	48.3	60	6	Yes
240 Volts 1 Phase	48.3	60	6	Yes
240 Volts 3 Phase	41.8	60	6	Yes
208 Volts 1 Phase	55.7	70	4	Yes
208 Volts 3 Phase	48.3	60	6	Yes
220 Volts 1 Phase	52.7	70	4	Yes
380 Volts 3 Phase Wye				No
480 Volts 3 Phase				No

XB2818-PB (Standard KW with Powered Bottom)

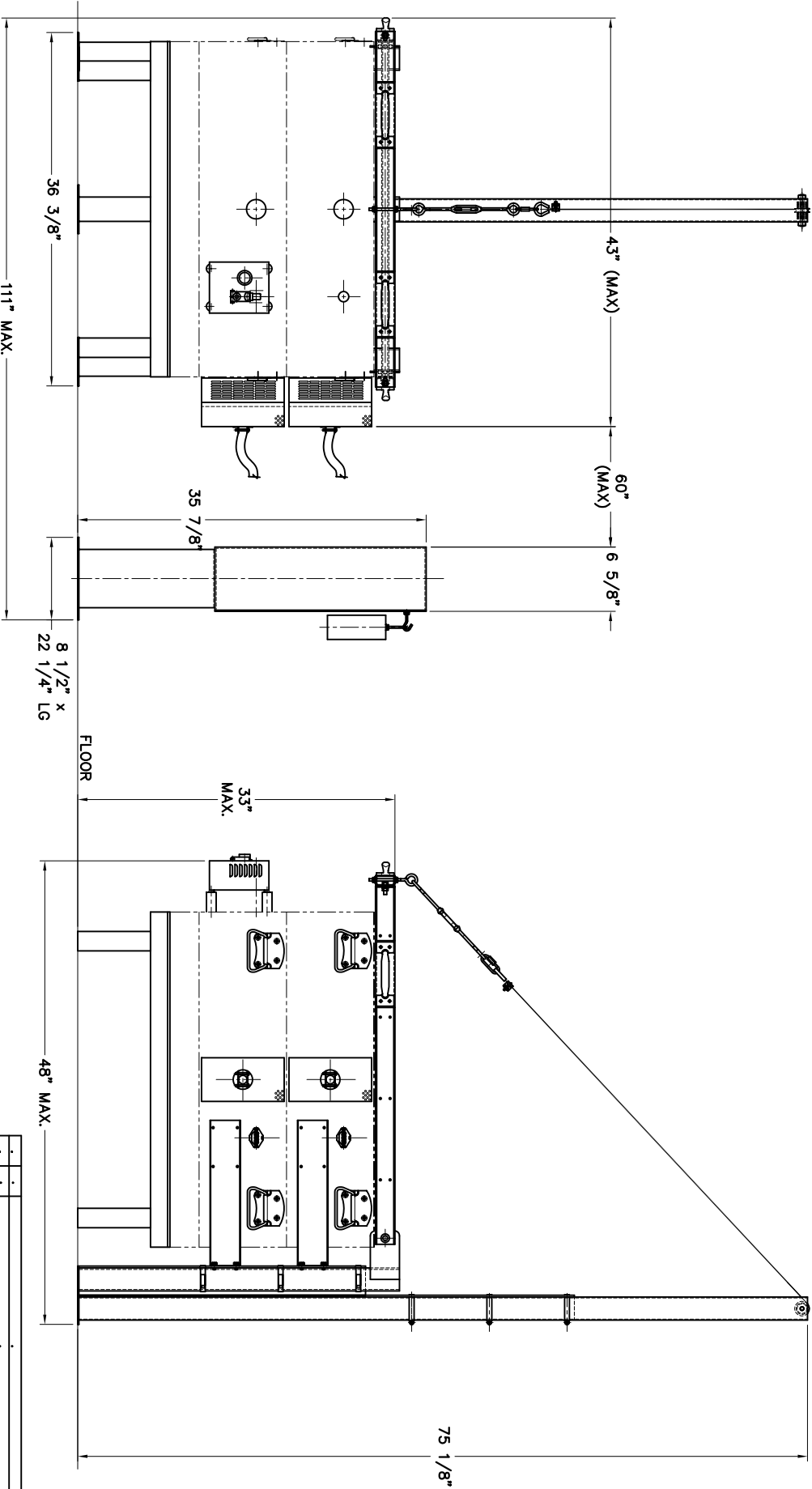
KW	Full Load Amps	Fuse Amps	Hook-up Wire Size	UL Listing
15.46	64.4	80	3	Yes
240 Volts 1 Phase	64.4	80	3	Yes
240 Volts 3 Phase	41.8	60	6	Yes
208 Volts 1 Phase	74.3	100	1	Yes
208 Volts 3 Phase	48.3	60	6	Yes
220 Volts 1 Phase	70.3	90	2	Yes
380 Volts 3 Phase Wye				Yes
480 Volts 3 Phase				Yes



DRAWING NO. K119-001	SHEET OF 1/2	REV P	TITLE MODEL XB2818 GENERAL DIMENSIONS	SCALE 1 = 16	DATE 2/12/04	DRAWN BY RC	FILE NAME L:\EVL\KILN\DAVINCI\K119-001	MADE FROM NEW
--------------------------------	------------------------	-----------------	---	------------------------	------------------------	-----------------------	--	-------------------------



REV. #	DATE	REVISION DESCRIPTION



DRAWING NO.	SHEET OF	REV	TITLE	SCALE	DATE	DRAWN BY	FILE NAME	MADE FROM
K119-001	2/2	P	MODEL XR2818 GENERAL DIMENSIONS	1 = 16	2/12/04	RC	L:\E\LLKILN\DAVINCI\K119-001	NEW
8 OBER PARKWAY PO BOX 1888 BOOTHWYN, PA 19061 hokilins.com								

REV.	DATE	REVISION DESCRIPTION