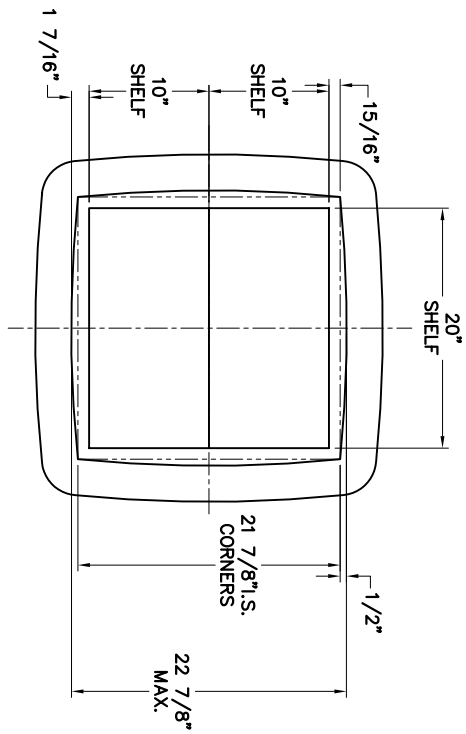


XB2318 Series - Major Specifications

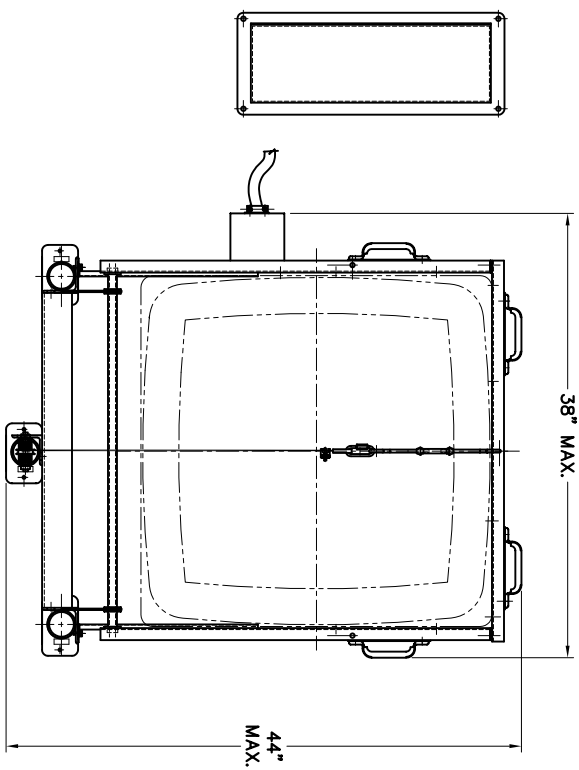
Cubic Feet: 5.0

Ship Weight: 800 lbs, with Furniture Kit: 845 lbs

XB2318		Full Load Amps	Fuse Amps	Hook-up Wire Size	UL Listing
KW: 8.93		Amps	Amps	Wire Size	UL Listing
240 Volts 1 Phase	37.2	50	6	6	Yes
240 Volts 3 Phase	32.2	40	8	8	Yes
208 Volts 1 Phase	42.9	60	6	6	Yes
208 Volts 3 Phase	37.2	50	6	6	Yes
220 Volts 1 Phase	40.6	60	6	6	Yes
380 Volts 3 Phase Wye					No
480 Volts 3 Phase	10.8	20	10	10	No



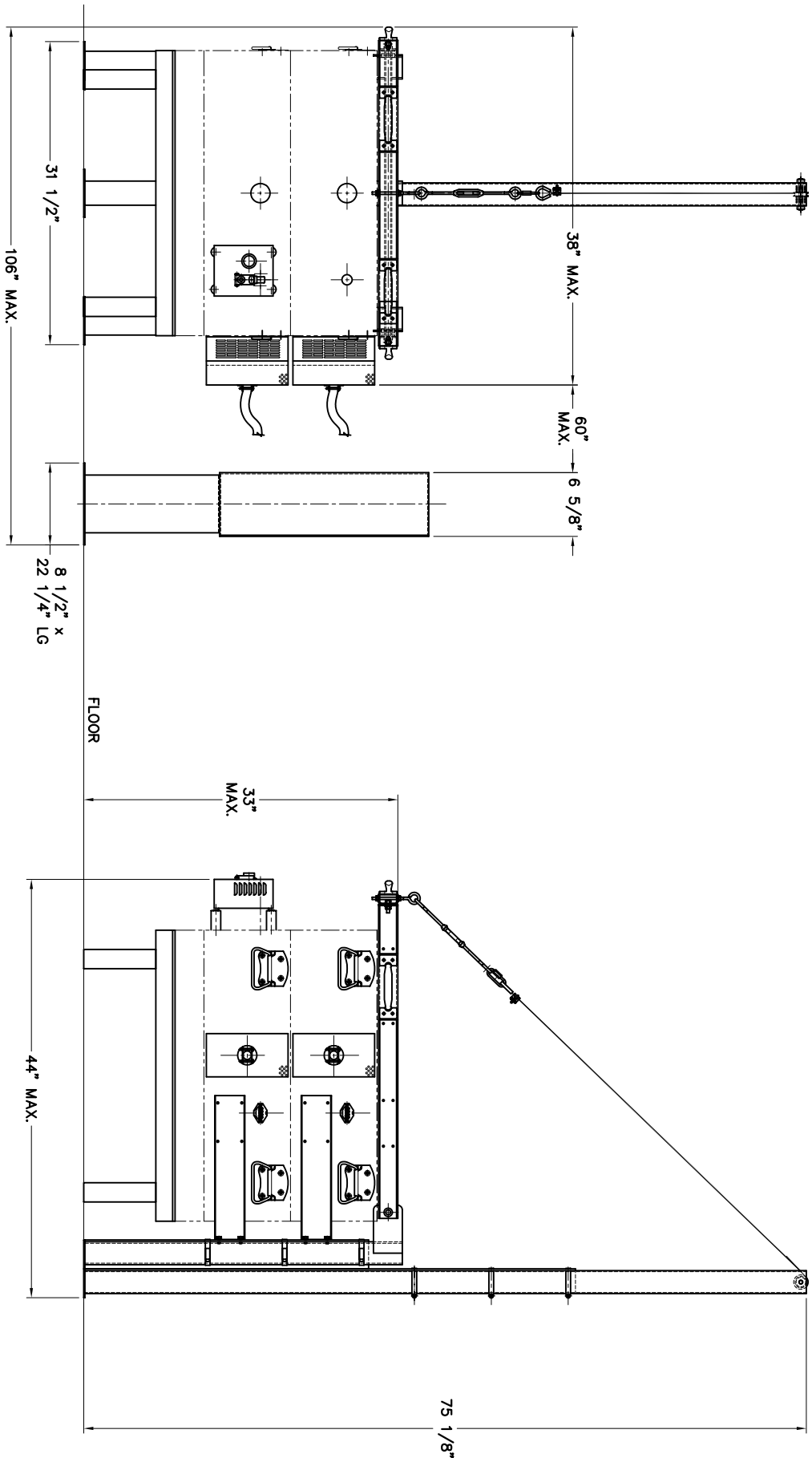
KILN INSIDE DIMENSIONS



DRAWING NO.	SHEET OF	REV	TITLE	SCALE	DATE	DRAWN BY	FILE NAME	MADE FROM
K112-001	1/2	P	MODEL XB2318 GENERAL DIMENSION	1 = 16	2/12/04	RC	L:\E\LLKILN\DAVINCI\K112-001	NEW



REV.	DATE	REVISION DESCRIPTION
•	•	•
•	•	•
•	•	•
•	•	•



DRAWING NO.	SHEET OF	REV	TITLE	SCALE	DATE	DRAWN BY	FILE NAME	MADE FROM
K112-001	2/2	P	MODEL XB2318 GENERAL DIMENSION	1 = 16	2/12/04	RJC	L:\E\LLKILN\DAVINCI\K112-001	NEW

JKilns
hokilns.com
8 GREEN PARKWAY
PO BOX 1888
BOOTHWYN, PA 19061

REV.	DATE	REVISION DESCRIPTION