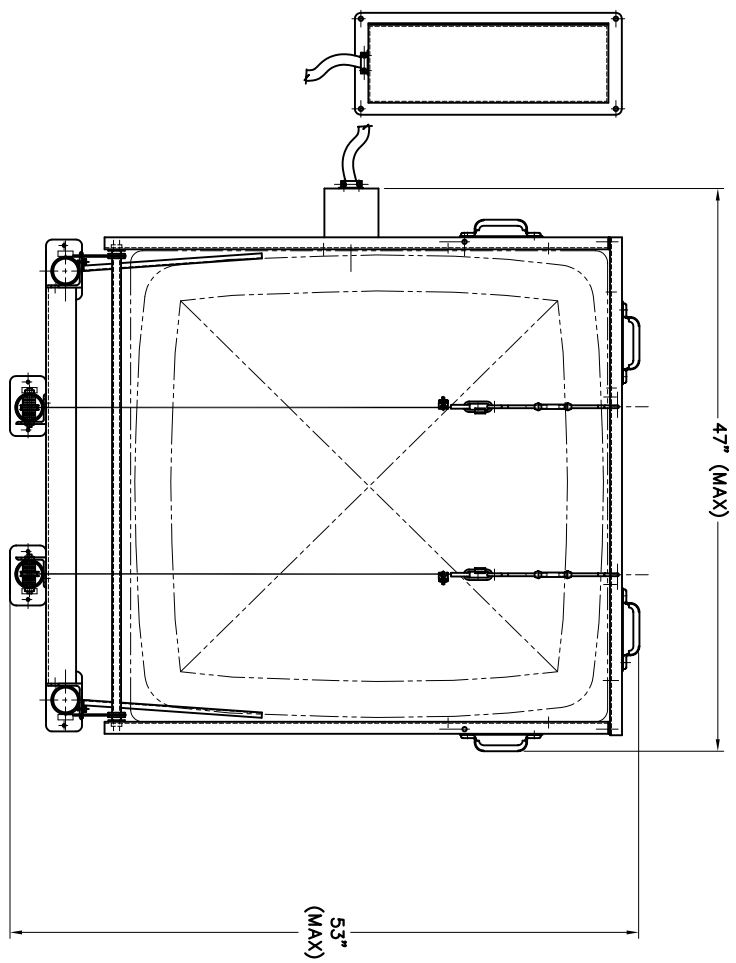
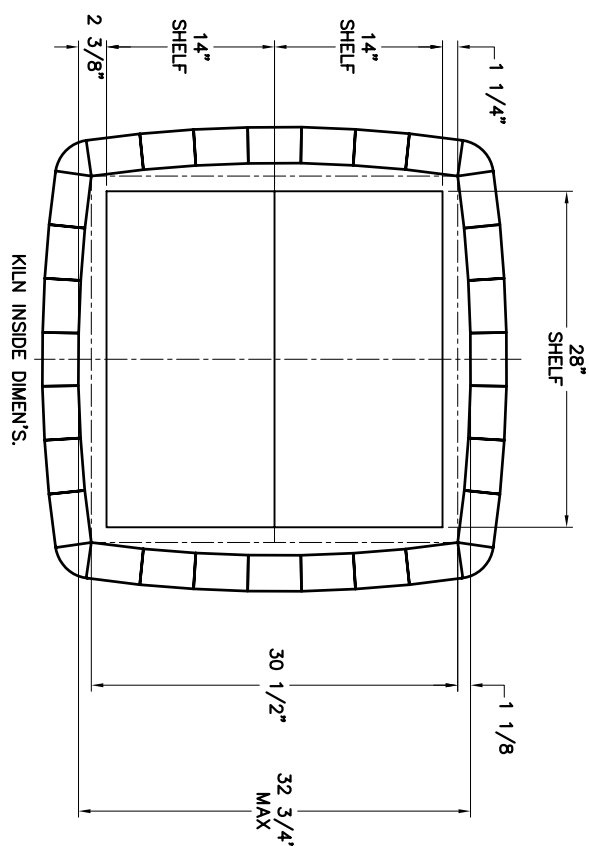


X3245 Series - Major Specifications

Cubic Feet: 25.0
 Ship Weight: 1575 lbs, with Furniture Kit: 1825 lbs



X3245 (Standard KW)

KW	Full Load Amps	Fuse Amps	Hook-up Wire Size	UL Listing
30.52	127.2	175	*4/0	Yes
240 Volts 1 Phase	86.8	125	*1/0	Yes
240 Volts 3 Phase	146.7	200	250 MCM	Yes
208 Volts 1 Phase	100.2	125	*1/0	Yes
208 Volts 3 Phase	138.7	175	*4/0	Yes
220 Volts 1 Phase				No
220 Volts 3 Phase				No
380 Volts 3 Phase Wye				No
480 Volts 3 Phase				No

X3245-PB (Standard KW with Powered Bottom)

KW	Full Load Amps	Fuse Amps	Hook-up Wire Size	UL Listing
34.07	142.0	175	*4/0	Yes
240 Volts 1 Phase	86.8	100	1	Yes
240 Volts 3 Phase	163.8	200	250MCM	Yes
208 Volts 1 Phase	100.2	125	*1/0	Yes
208 Volts 3 Phase	154.9	200	250MCM	Yes
220 Volts 1 Phase				No
220 Volts 3 Phase				No
380 Volts 3 Phase Wye				No
480 Volts 3 Phase				No

XB3245 (XB High KW)

KW	Full Load Amps	Fuse Amps	Hook-up Wire Size	UL Listing
35.5	147.9	200	250MCM	No
240 Volts 1 Phase	102.5	150	*2/0	No
240 Volts 3 Phase	170.6	225	350MCM	No
208 Volts 1 Phase	118.2	150	*2/0	No
208 Volts 3 Phase	161.3	225	350MCM	No
220 Volts 1 Phase				No
220 Volts 3 Phase				No
380 Volts 3 Phase Wye				No
480 Volts 3 Phase				No

XB3245-PB (XB High KW with Powered Bottom)

KW	Full Load Amps	Fuse Amps	Hook-up Wire Size	UL Listing
40.2	167.6	225	350MCM	No
240 Volts 1 Phase	102.5	150	*2/0	No
240 Volts 3 Phase	193.4	250	350MCM	No
208 Volts 1 Phase	118.2	150	*2/0	No
208 Volts 3 Phase	162.8	250	350MCM	No
220 Volts 1 Phase				No
220 Volts 3 Phase				No
380 Volts 3 Phase Wye				No
480 Volts 3 Phase				No

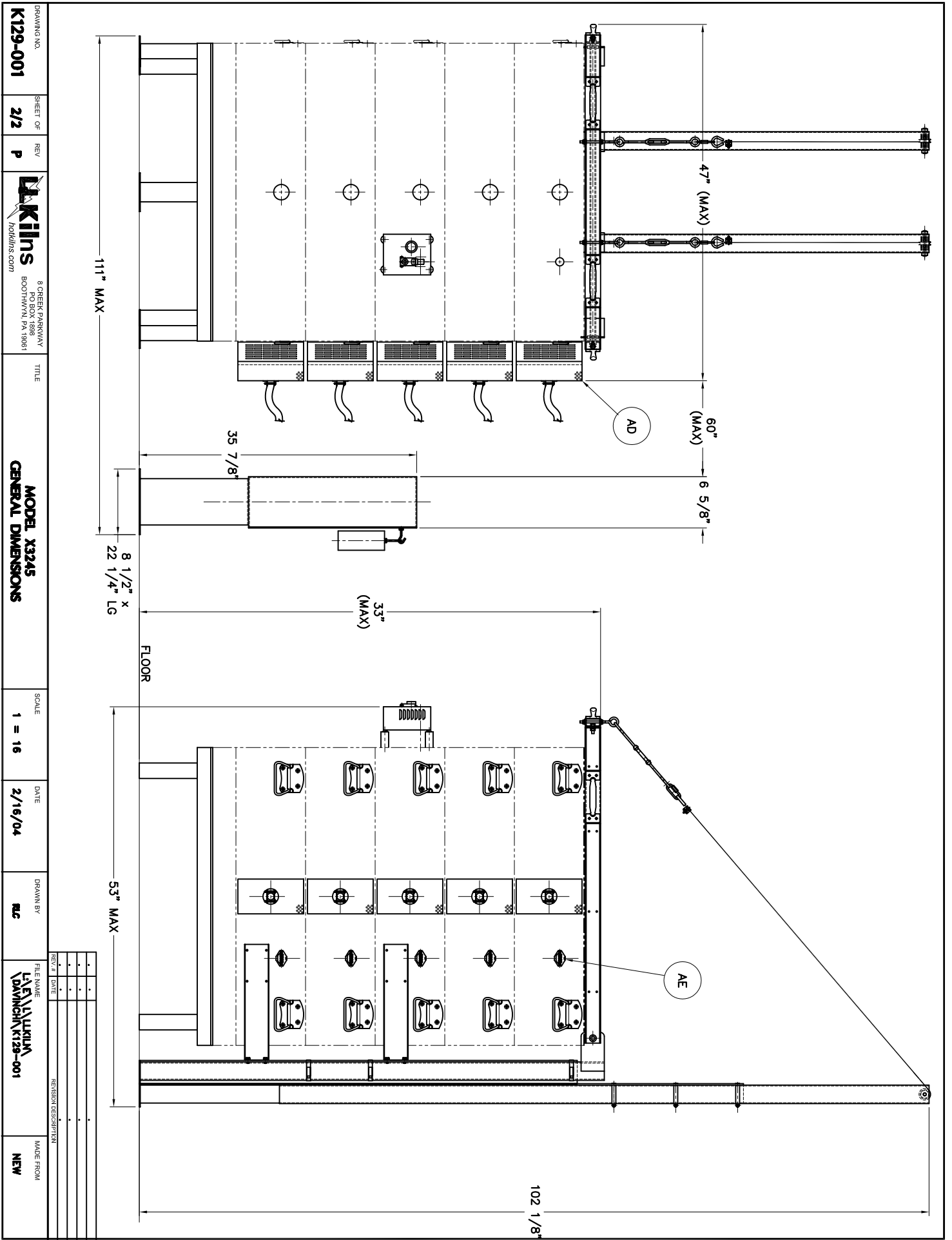
DRAWING NO. **K129-001** SHEET OF **1/2** REV **P**

JKilns 8 CEDAR PARKWAY
 PO BOX 1888
 BOOTHWYN, PA 19061
 hotkilns.com

TITLE: **MODEL X3245 GENERAL DIMENSIONS**

SCALE: **1 = 16** DATE: **2/16/04** DRAWN BY: **RC**

FILE NAME: **L:\EVL\KILN\DAVINCI\K129-001** MADE FROM: **NEW**



DRAWING NO. **K129-001**

SHEET OF **2/2**

REV **P**



8 GREER PARKWAY
P.O. BOX 1888
BOOTHWYN, PA 19061

TITLE **MODEL X3245
GENERAL DIMENSIONS**

SCALE **1 = 16**

DATE **2/16/04**

DRAWN BY **RLC**

FILE NAME
**L. ELLIOTT LILLY
DAVINCI\K129-001**

MADE FROM **NEW**

REV.	DATE	REVISION DESCRIPTION