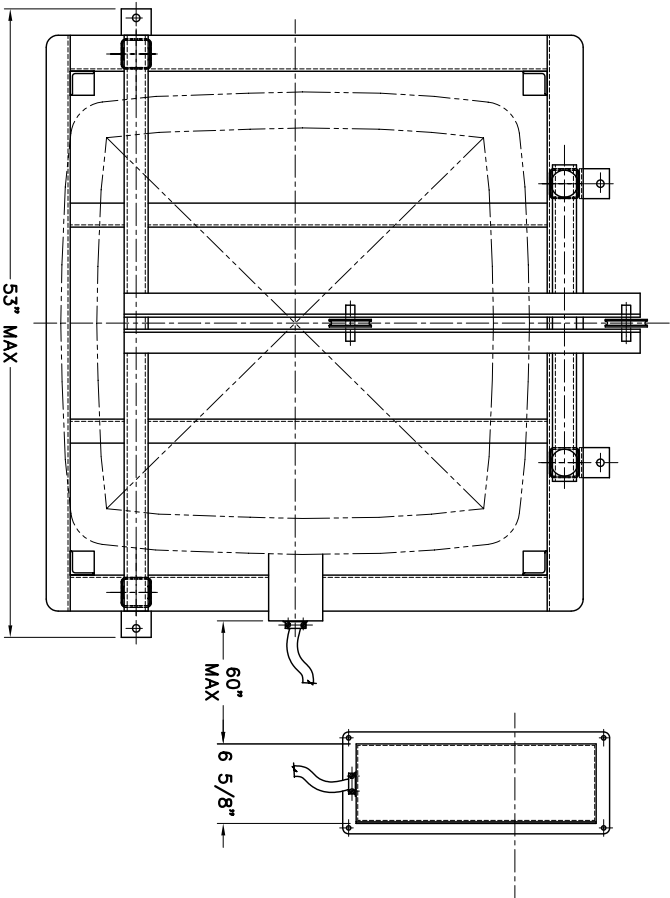


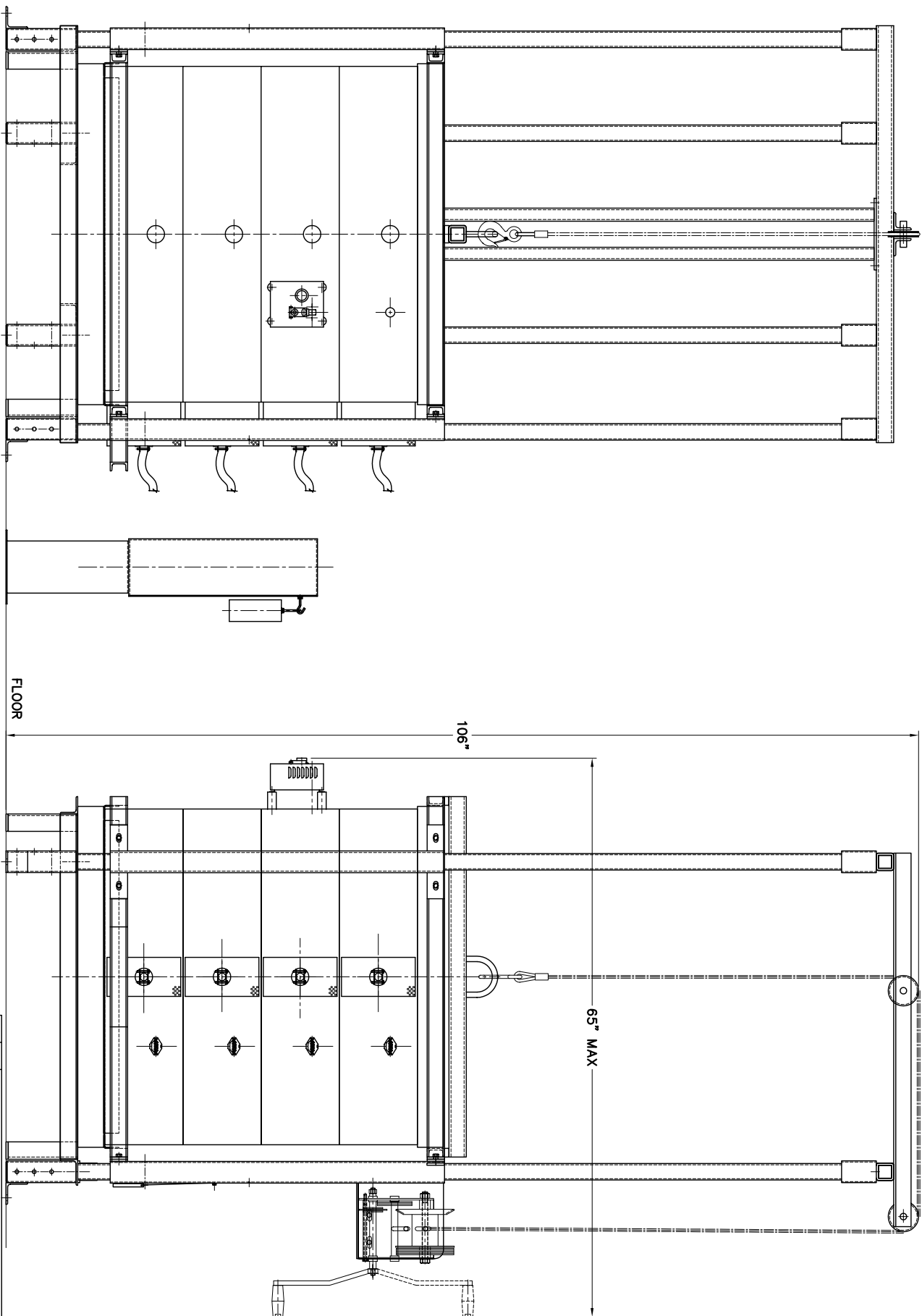
KILN INSIDE DIMENS.



DRAWING NO.	SHEET OF	REV	TITLE	SCALE	DATE	DRAWN BY	FILE NAME	MADE FROM
K128-201	1/2	P	MODEL X3236 BELL-LIFT	1 = 16	9/14/04	RJC	L:\E\LLKILN\DAVINCHI\K128-201	NEW

Luklins
hoklins.com
8 GREER PARKWAY
PO BOX 1898
BOOTHWYN, PA 19061

REV. #	DATE	REVISION DESCRIPTION



DRAWING NO.	SHEET OF	REV	TITLE	SCALE	DATE	DRAWN BY	FILE NAME	MADE FROM
K128-201	2/2	P	MODEL X3236 BELL-LIFT	1 = 16	9/14/04	RJC	L:\E\I\KILN\DAVINCHI\K128-201	NEW



8 OBER PARKWAY
PO BOX 1888
BOOTHWYN, PA 19061

REV. #	DATE	REVISION DESCRIPTION