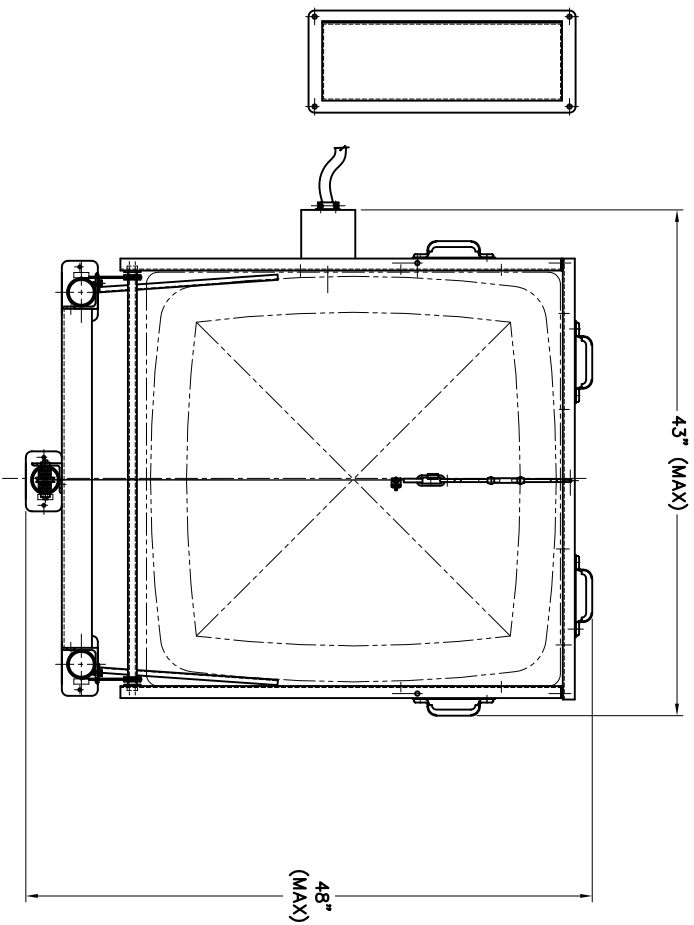
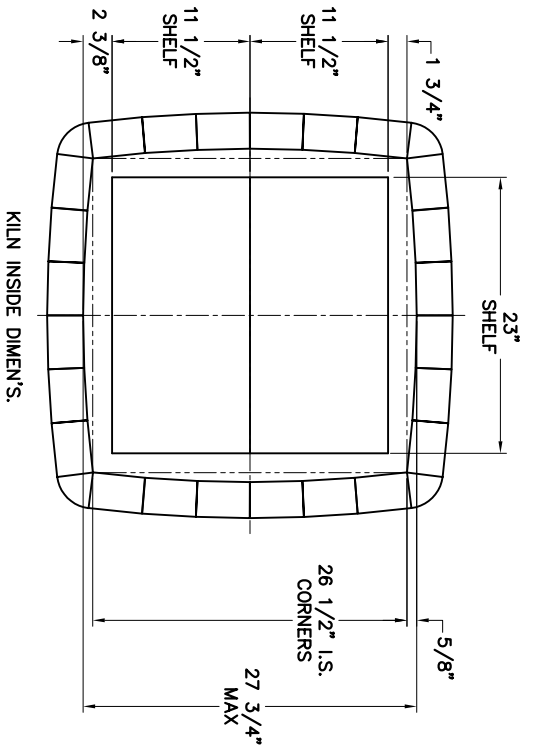


# X2827 Series - Major Specifications

Cubic Feet: 11.7  
 Ship Weight: 1085 lbs. with Furniture Kit: 1185 lbs



**X2827 (Standard KW)**

KW	Full Load Amps	Fuse Amps	Hook-up Wire Size	UL Listing
14.93	62.2	80	3	Yes
240 Volts 1 Phase	62.2	80	3	Yes
240 Volts 3 Phase	35.9	50	6	Yes
208 Volts 1 Phase	71.8	90	2	Yes
208 Volts 3 Phase	41.5	60	6	Yes
220 Volts 1 Phase	67.9	90	2	Yes
380 Volts 3 Phase Wye				No
480 Volts 3 Phase				No

**X2827-PB (Standard KW with Powered Bottom)**

KW	Full Load Amps	Fuse Amps	Hook-up Wire Size	UL Listing
18.25	76.0	90	2	Yes
240 Volts 1 Phase	76.0	90	2	Yes
240 Volts 3 Phase	47.9	70	4	Yes
208 Volts 1 Phase	87.7	100	1	Yes
208 Volts 3 Phase	55.3	70	4	Yes
220 Volts 1 Phase	83.0	100	1	Yes
380 Volts 3 Phase Wye				No
480 Volts 3 Phase				No

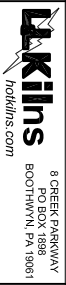
**XB2827 (XB High KW)**

KW	Full Load Amps	Fuse Amps	Hook-up Wire Size	UL Listing
17.4	72.5	90	2	No
240 Volts 1 Phase	72.5	90	2	No
240 Volts 3 Phase	41.8	60	6	No
208 Volts 1 Phase	83.6	125	*1/0	No
208 Volts 3 Phase	48.3	60	6	No
220 Volts 1 Phase	79	100	1	No
380 Volts 3 Phase Wye				No
480 Volts 3 Phase				No

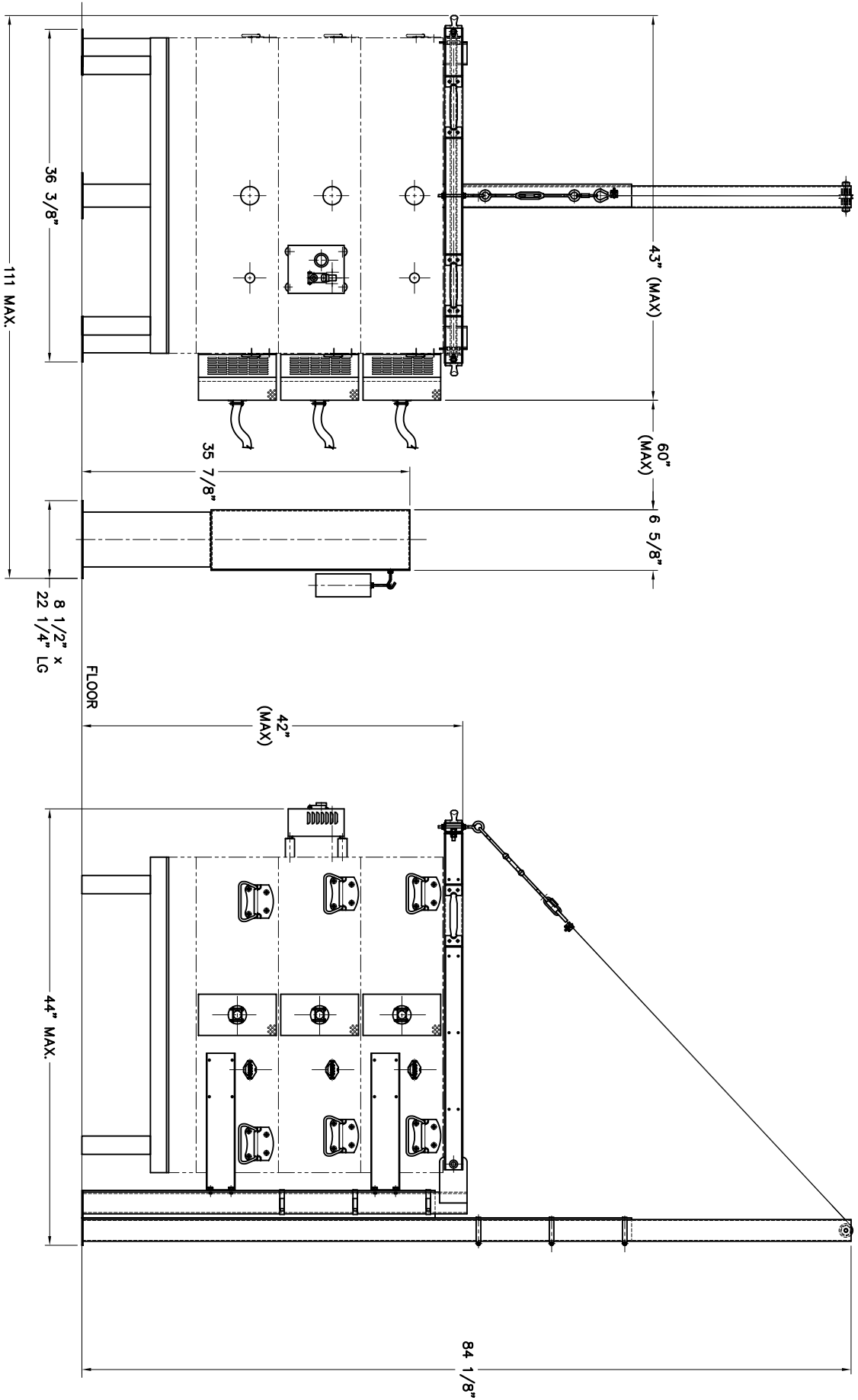
**XB2827-PB (XB High KW with Powered Bottom)**

KW	Full Load Amps	Fuse Amps	Hook-up Wire Size	UL Listing
21.3	88.6	125	*1/0	No
240 Volts 1 Phase	88.6	125	*1/0	No
240 Volts 3 Phase	56.4	70	4	No
208 Volts 1 Phase	102.2	150	*2/0	No
208 Volts 3 Phase	65	90	2	No
220 Volts 1 Phase	96.6	125	*1/0	No
380 Volts 3 Phase Wye				No
480 Volts 3 Phase				No

DRAWING NO. <b>K120-001</b>	SHEET OF <b>1/2</b>	REV <b>P</b>	TITLE <b>MODEL X2827 GENERAL DIMENSIONS</b>	SCALE <b>1 = 16</b>	DATE <b>2/12/04</b>	DRAWN BY <b>RC</b>	FILE NAME <b>L:\EVL\KILN\DAVINCI\K120-001</b>	MADE FROM <b>NEW</b>
--------------------------------	------------------------	-----------------	--	------------------------	------------------------	-----------------------	--	-------------------------



REV.	DATE	REVISION DESCRIPTION



DRAWING NO. **K120-001**

SHEET OF **2/2**

REV **P**

**L. J. Kiln**  
 hokilins.com  
 8 OBER PARKWAY  
 P.O. BOX 1888  
 BOOTHWYN, PA 19061

TITLE  
**MODEL X2827  
 GENERAL DIMENSIONS**

SCALE  
**1 = 16**

DATE  
**2/12/04**

DRAWN BY  
**RJC**

FILE NAME  
**L:\LJ\KILN\DAVINCI\K120-001**

MADE FROM  
**NEW**

REV.	DATE	REVISION DESCRIPTION
•	•	•
•	•	•
•	•	•
•	•	•