

# X2345 Series - Major Specifications

Cubic Feet: 13.5

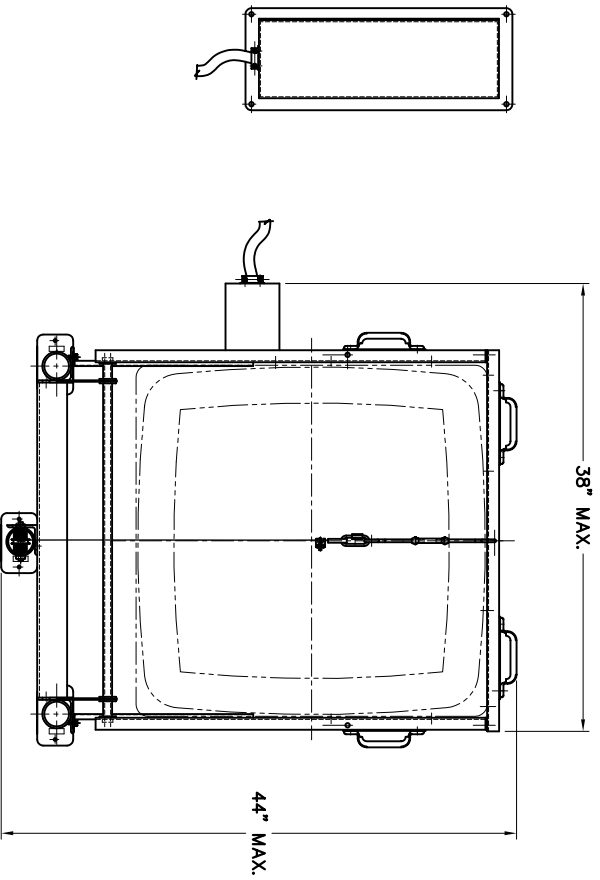
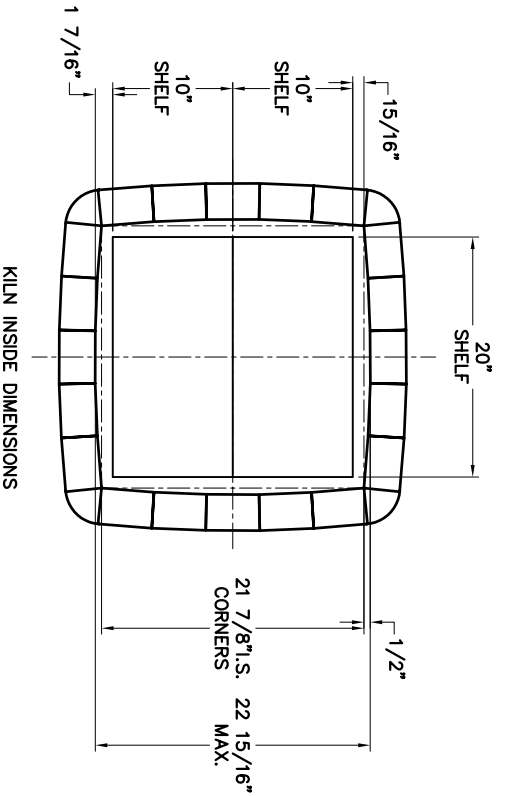
Ship Weight: 1075 lbs, with Furniture Kit: 1185 lbs

## X2345 (Standard KW)

KW: 19.51	Full Load Amps	Fuse Amps	Hook-up Wire Size	UL Listing
240 Volts 1 Phase	81.3	100	1	Yes
240 Volts 3 Phase	56.3	70	4	Yes
208 Volts 1 Phase	93.8	125	*1/0	Yes
208 Volts 3 Phase	65.0	80	3	Yes
220 Volts 1 Phase	88.7	125	*1/0	Yes
380 Volts 3 Phase Wye				No
480 Volts 3 Phase				No

## XB2345 (XB High KW)

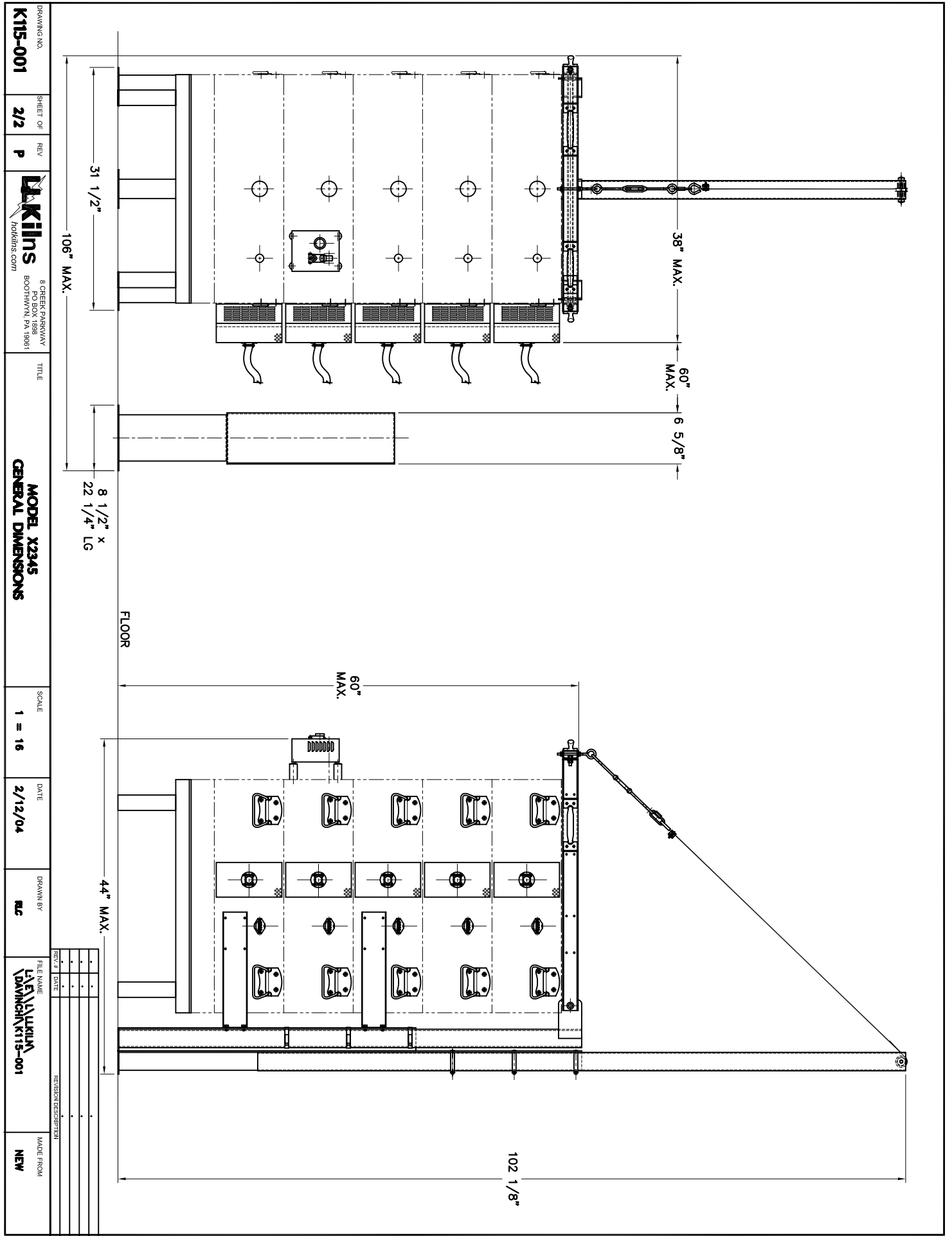
KW: 22.3	Full Load Amps	Fuse Amps	Hook-up Wire Size	UL Listing
240 Volts 1 Phase	93.1	125	*1/0	No
240 Volts 3 Phase	64.5	80	3	No
208 Volts 1 Phase	107.4	150	*2/0	No
208 Volts 3 Phase	74.4	100	1	No
220 Volts 1 Phase	101.5	125	*1/0	No
380 Volts 3 Phase Wye				No
480 Volts 3 Phase				No



DRAWING NO.	SHEET OF	REV	TITLE	SCALE	DATE	DRAWN BY	FILE NAME	MADE FROM
K115-001	1/2	P	MODEL X2345 GENERAL DIMENSIONS	1 = 16	2/12/04	RC	L:\E\LLKILN\DAVINCI\K115-001	NEW



REV.	DATE	REVISION DESCRIPTION
•	•	•
•	•	•
•	•	•



DRAWING NO. **K115-001**

SHEET OF **2/2**

REV **P**

**JKilns**  
haskilns.com  
8 CEDAR PARKWAY  
PO BOX 1888  
BOOTHWYN, PA 19061

TITLE  
**MODEL X2345  
GENERAL DIMENSIONS**

SCALE **1 = 16**

DATE **2/12/04**

DRAWN BY **RC**

FILE NAME  
**L:\E\JKILN\DAVINCI\K115-001**

MADE FROM  
**NEW**

REV.	DATE	REVISION DESCRIPTION