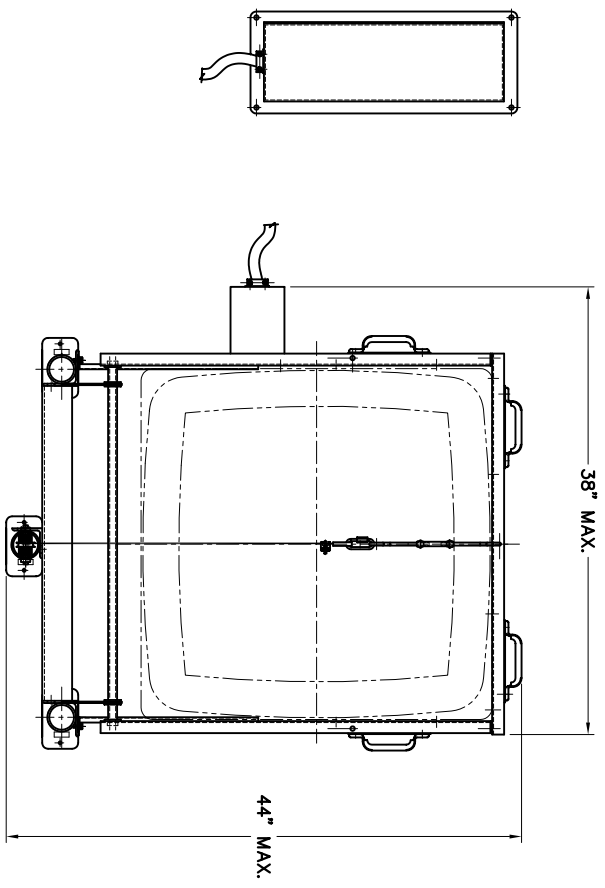
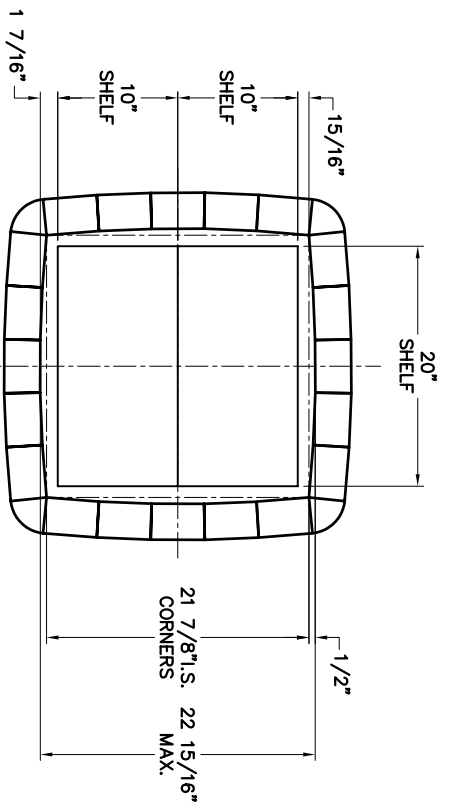


# X2336 Series - Major Specifications

Cubic Feet: 10.8  
 Ship Weight: 975 lbs, with Furniture Kit: 1065 lbs

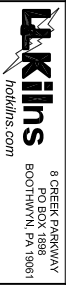


## X2327 (Standard KW)

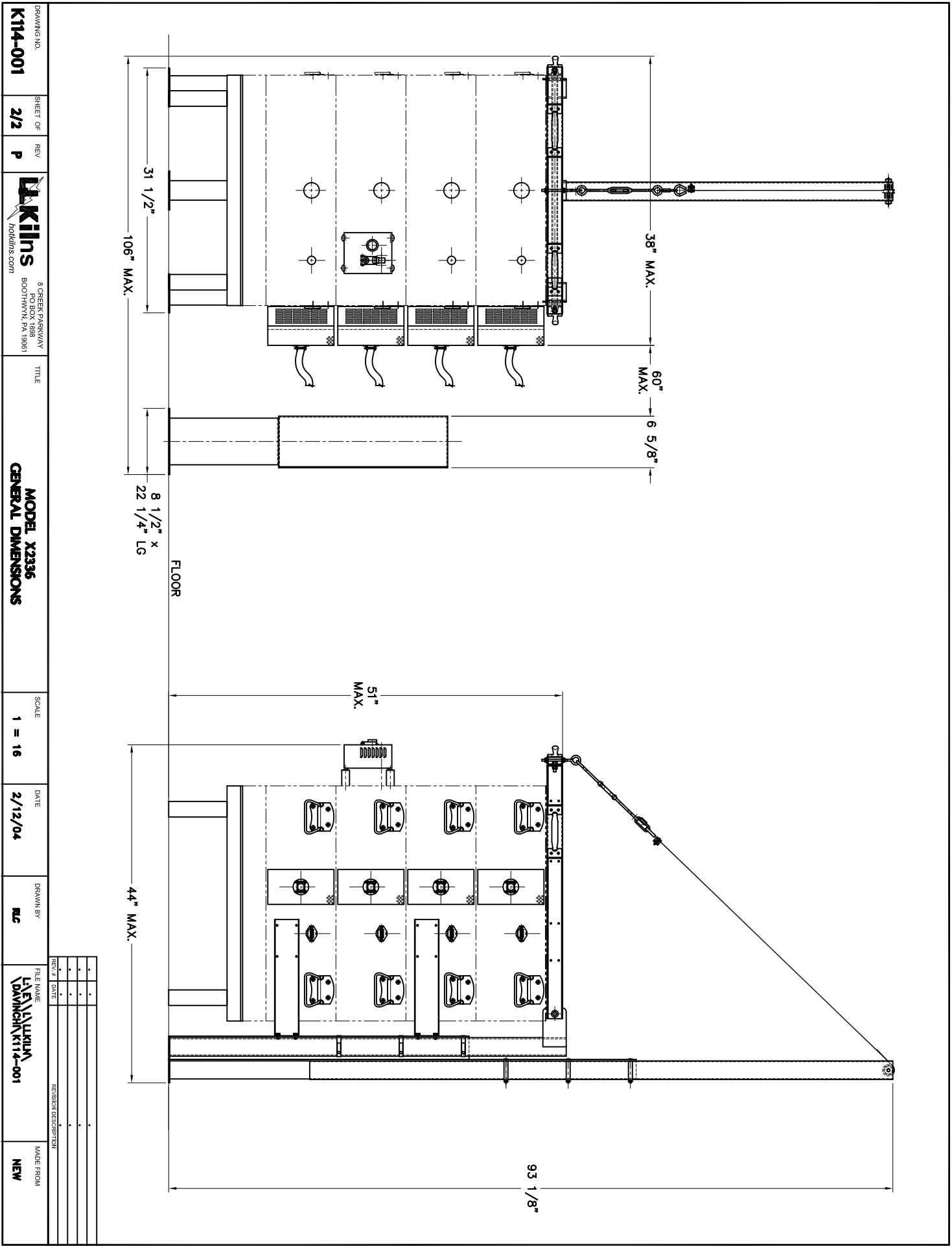
	Full Load Amps	Fuse Amps	Hook-up Wire Size	UL Listing
KW: 15.60				
240 Volts 1 Phase	65.0	80	3	Yes
240 Volts 3 Phase	42.2	60	6	Yes
208 Volts 1 Phase	75.0	90	2	Yes
208 Volts 3 Phase	48.7	60	6	Yes
220 Volts 1 Phase	70.9	90	2	Yes
380 Volts 3 Phase Wye				No
480 Volts 3 Phase				No

	Full Load Amps	Fuse Amps	Hook-up Wire Size	UL Listing
KW: 17.9				
240 Volts 1 Phase	74.5	100	1	No
240 Volts 3 Phase	49.2	70	4	No
208 Volts 1 Phase	85.9	125	*1/0	No
208 Volts 3 Phase	56.8	70	4	No
220 Volts 1 Phase	81.2	100	1	No
380 Volts 3 Phase Wye				No
480 Volts 3 Phase				No

DRAWING NO.	SHEET OF	REV	TITLE	SCALE	DATE	DRAWN BY	FILE NAME	MADE FROM
K114-001	1/2	P	MODEL X2336 GENERAL DIMENSIONS	1 = 16	2/12/04	RC	L:\E\LLKILN\DAVINCI\K114-001	NEW



REV.	DATE	REVISION DESCRIPTION
•	•	•
•	•	•
•	•	•



DRAWING NO.	SHEET OF	REV	TITLE	SCALE	DATE	DRAWN BY	FILE NAME	MADE FROM
K114-001	2/2	P	MODEL X2336 GENERAL DIMENSIONS	1 = 16	2/12/04	RC	L:\E\LLKILN\DAVINCI\K114-001	NEW

**LJKilns**  
 hokilns.com  
 8 OBER PARKWAY  
 PO BOX 1888  
 BOOTHWYN, PA 19061

REV.	DATE	REVISION DESCRIPTION