

X2327 Series - Major Specifications

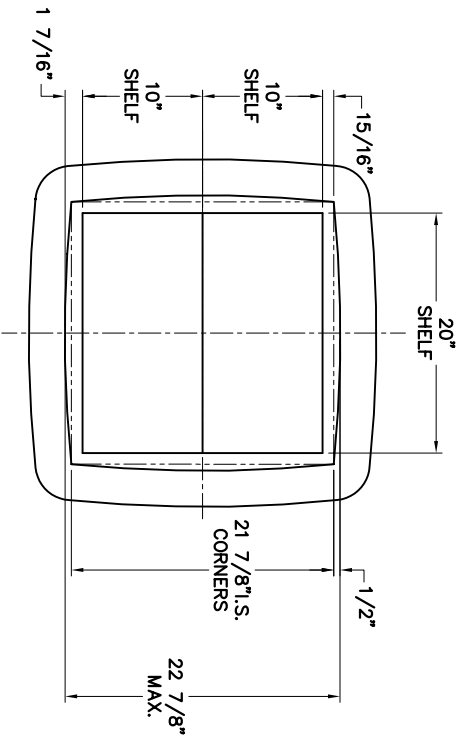
Cubic Feet: 8.1
 Ship Weight: 900 lbs, with Furniture Kit: 965 lbs

X2327 (Standard KW)

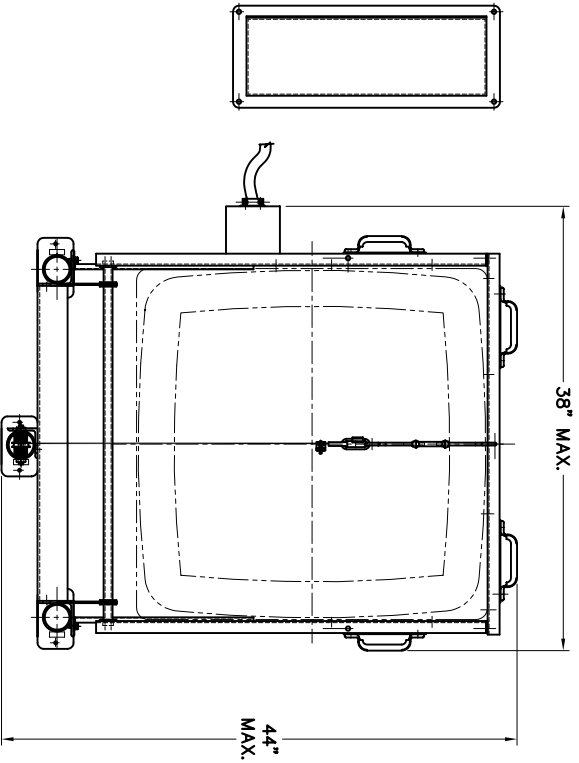
KW: 1.70	Full Load Amps	Fuse Amps	Hook-up Wire Size	UL Listing
240 Volts 1 Phase	48.8	60	6	Yes
240 Volts 3 Phase	28.2	40	8	Yes
208 Volts 1 Phase	56.3	70	4	Yes
208 Volts 3 Phase	32.5	40	8	Yes
220 Volts 1 Phase	53.2	70	4	Yes
380 Volts 3 Phase Wye				No
480 Volts 3 Phase				No

XB2327 (XB High KW)

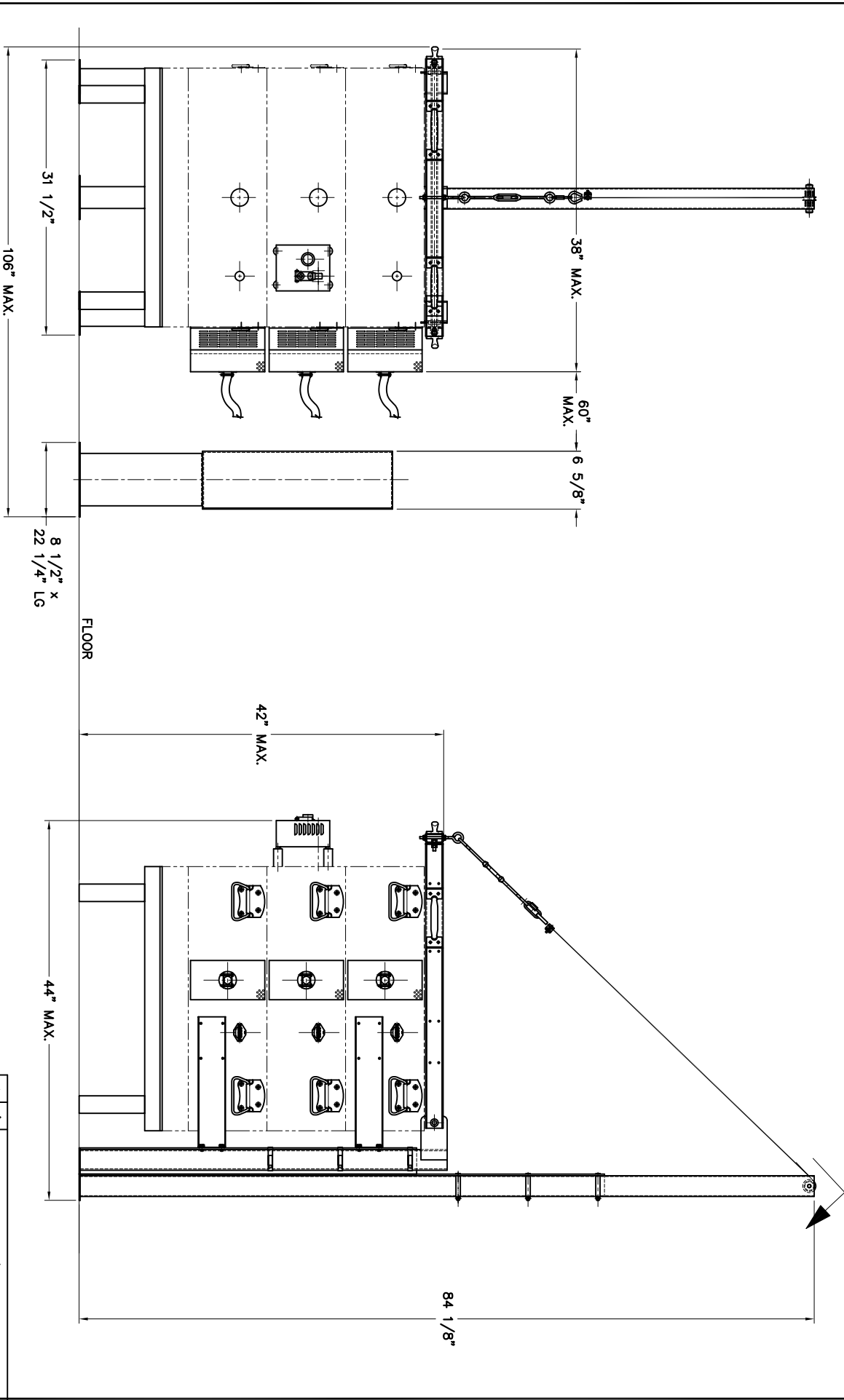
KW: 13.40	Full Load Amps	Fuse Amps	Hook-up Wire Size	UL Listing
240 Volts 1 Phase	55.8	70	4	No
240 Volts 3 Phase	32.2	40	8	No
208 Volts 1 Phase	64.4	80	3	No
208 Volts 3 Phase	37.2	50	6	No
220 Volts 1 Phase	60.9	80	3	No
380 Volts 3 Phase Wye				No
480 Volts 3 Phase				No



KILN INSIDE DIMENSIONS



DRAWING NO. K113-001	SHEET OF 1/2	REV P	 8 ORRER PARKWAY PO BOX 1888 BOOTHWYN, PA 19061 hokilns.com	TITLE MODEL X2327 GENERAL DIMENSIONS	SCALE 1 = 16	DATE 2/12/04	DRAWN BY RC	FILE NAME L:\E\LLKILN\DAVINCI\K113-001	MADE FROM NEW
--------------------------------	------------------------	-----------------	---	--	------------------------	------------------------	-----------------------	---	-------------------------



DRAWING NO.	SHEET OF	REV	TITLE	SCALE	DATE	DRAWN BY	FILE NAME	MADE FROM
K113-001	2/2	P	MODEL X2327 GENERAL DIMENSIONS	1 = 16	2/12/04	RC	L:\E\LLKILN\DAVINCI\K113-001	NEW
 hokilins.com 8 GREEN PARKWAY PO BOX 1888 BOOTHWYN, PA 19061								
REVISION DESCRIPTION REV # DATE								