

FILE NAME  
L:\E\LLKILN\DAVINCI\BELL LIFT\TB644754\K145-001

MADE FROM  
NEW

DRAWN BY  
Dave Cunningham

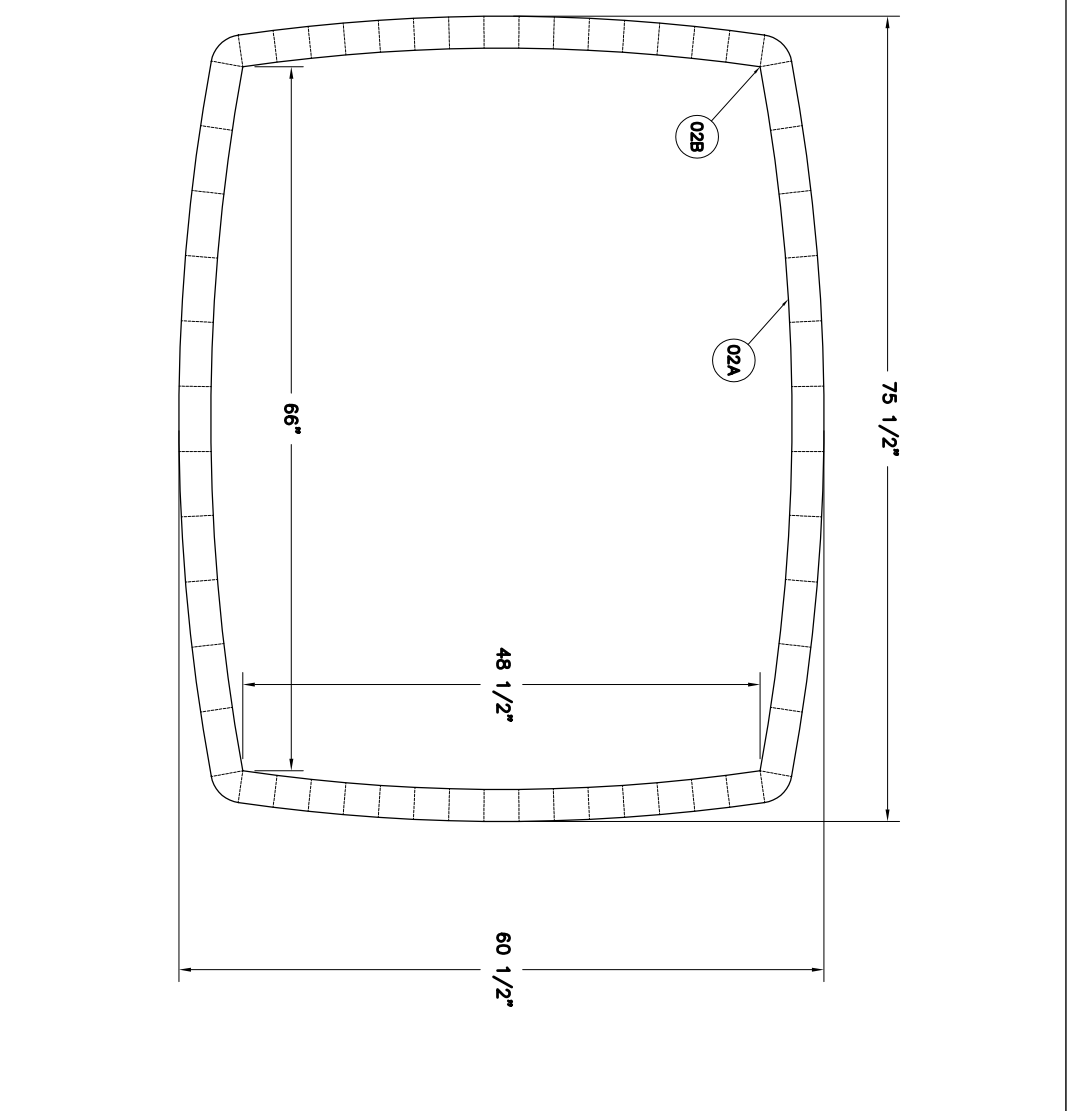
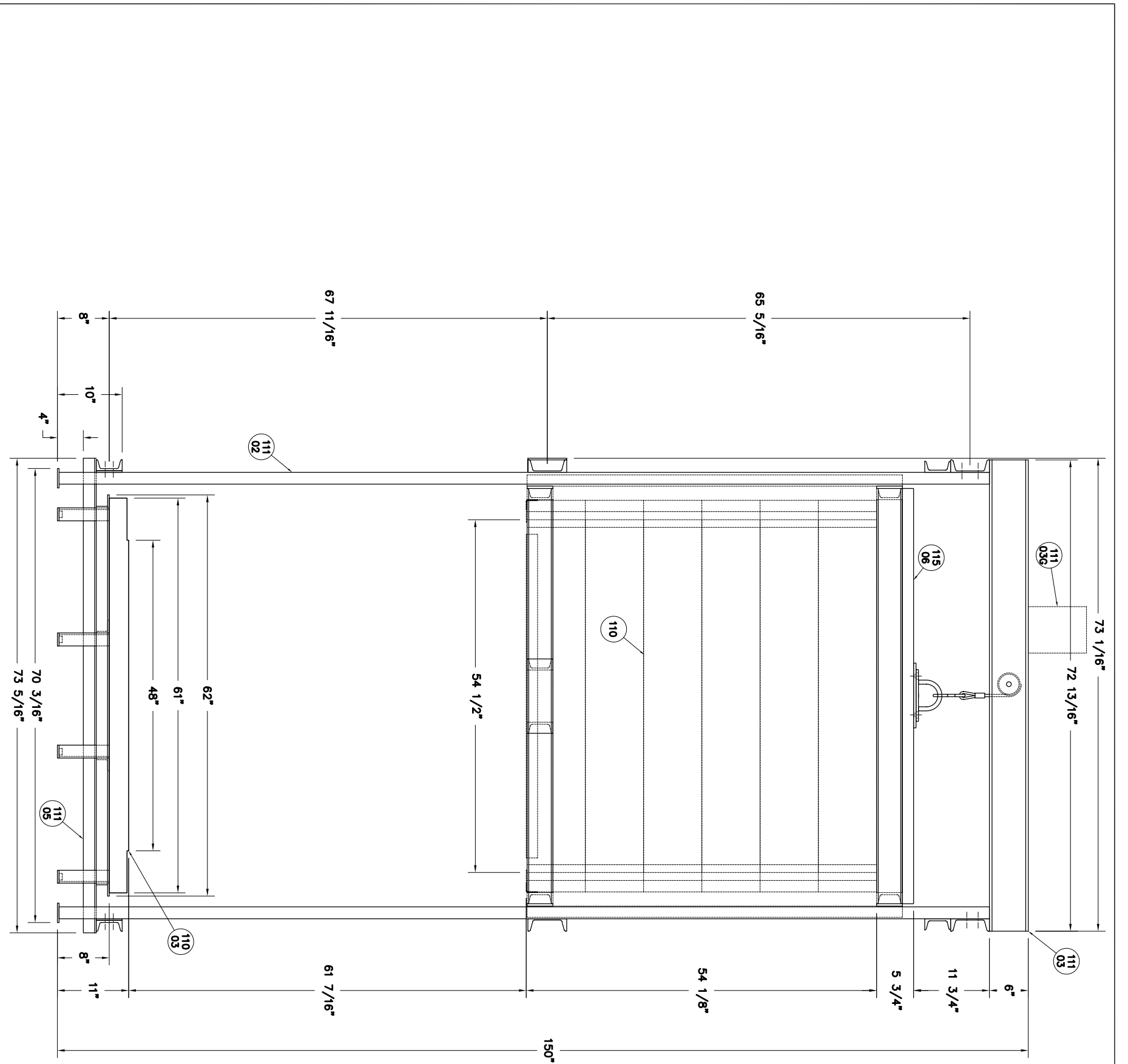
DATE  
07/11/06

SCALE  
1 = 18

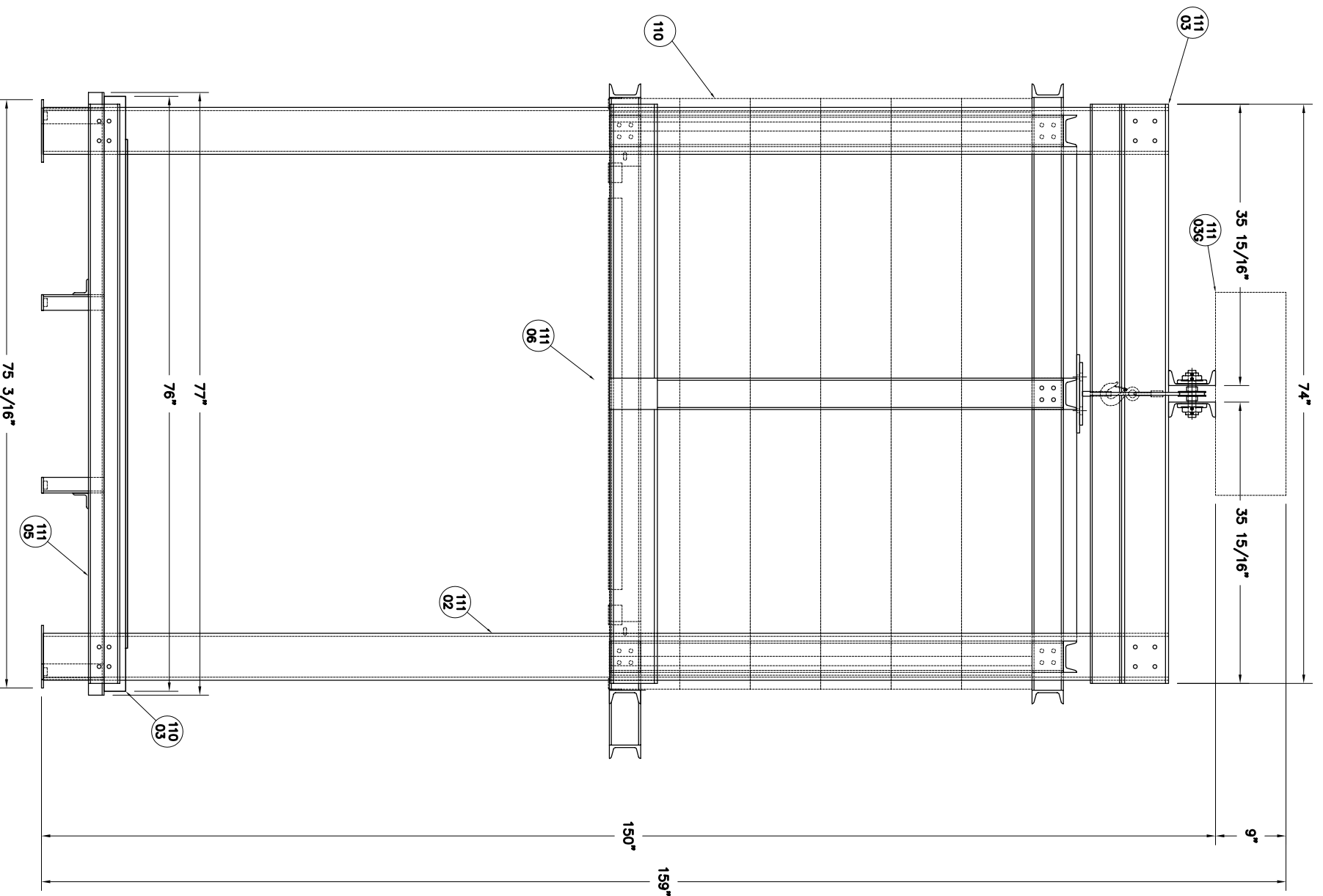
TITLE

DAVINCI MODEL TB644754 BELL LIFT  
GENERAL DIMENSION AND ASSEMBLY

REVISION DESCRIPTION  
A AS BUILT  
11/02/06  
A 1/3 K145-001



REV #	DATE	DESCRIPTION
A	11/02/06	AS BUILT

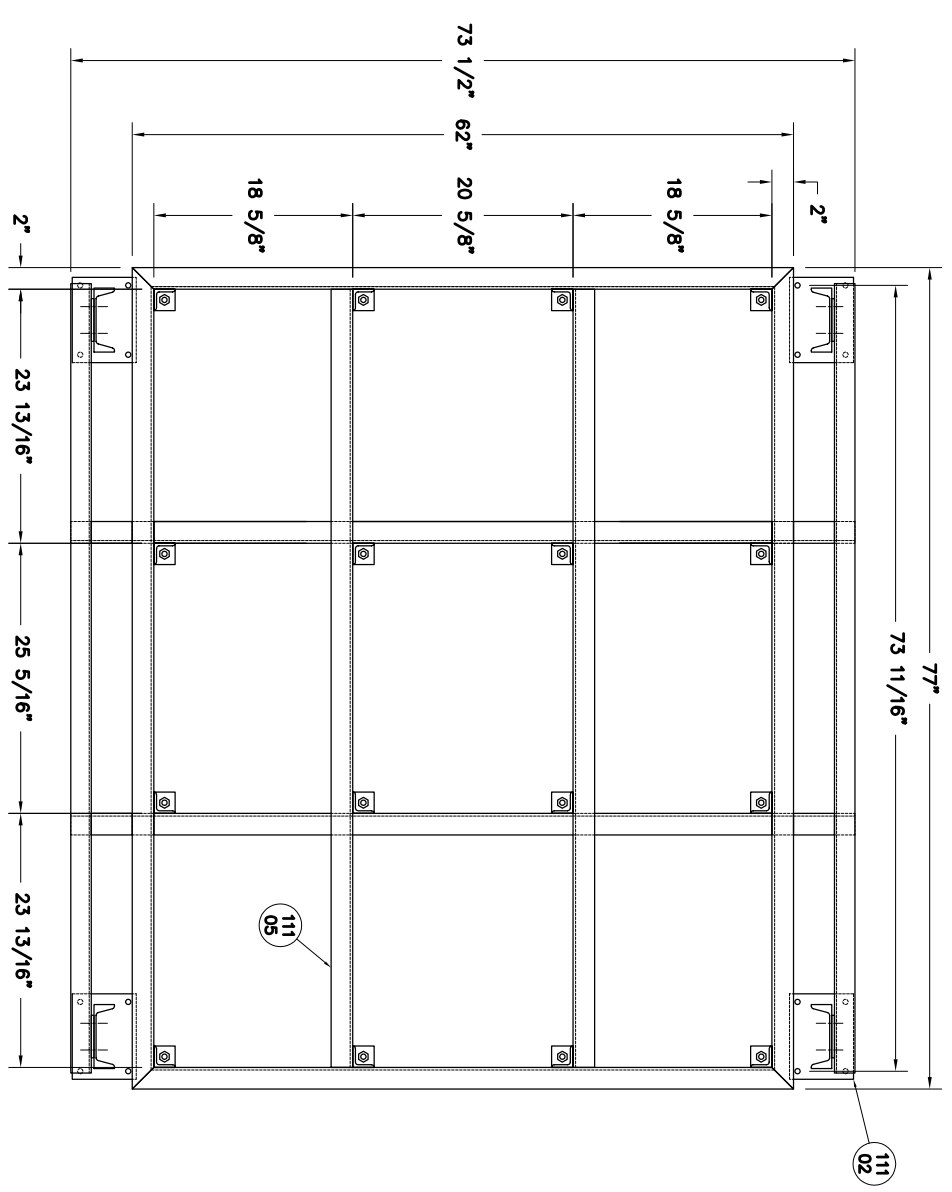
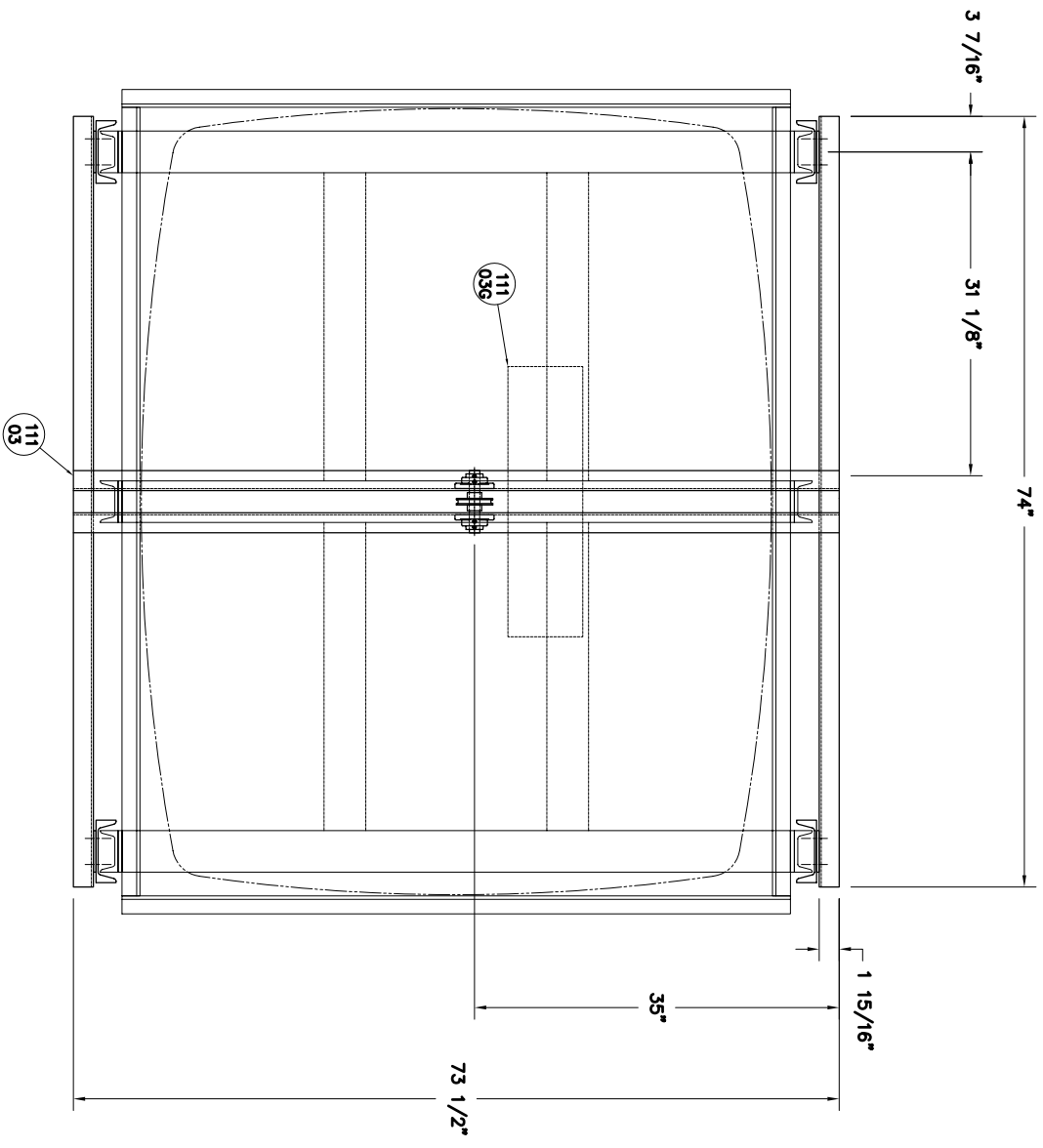


FILE NAME: L:\E\LLKILN\DAVINCI\BELL LIFT\TB644754\K145-001  
 MADE FROM: NEW  
 DRAWN BY: Dave Cunningham  
 DATE: 07/11/06  
 SCALE: 1 = 18  
 TITLE: DAVINCI MODEL TB644754 BELL LIFT GENERAL DIMENSION AND ASSEMBLY

REV #	DATE	REVISION DESCRIPTION
A	11/02/06	AS BUILT

**hokilns**  
 8 CREEK PARKWAY  
 P.O. BOX 1888  
 SOUTHAMPTON, PA 19686  
 hokilns.com

REVISION DESCRIPTION: AS BUILT  
 SHEET OF: 2/3  
 DRAWING NO.: K145-001



FILE NAME: L:\E\LLKILN\DAVINCI\BELL LIFT\TB64\K145-602  
 MADE FROM: NEW  
 DRAWN BY: Dave Cunningham  
 DATE: 07/11/06  
 SCALE: 1 = 18  
 TITLE: DAVINCI MODEL TB644754 BELL LIFT GENERAL DIMENSION AND ASSEMBLY  
 REV # DATE DESCRIPTION  
 A 11/02/06 AS BUILT  
 8 CREEK PARKWAY  
 P.O. BOX 1898  
 SOUTHAM, PA 19681  
 hokilns.com  
 SHEET OF: 3/3  
 DRAWING NO.: K145-001