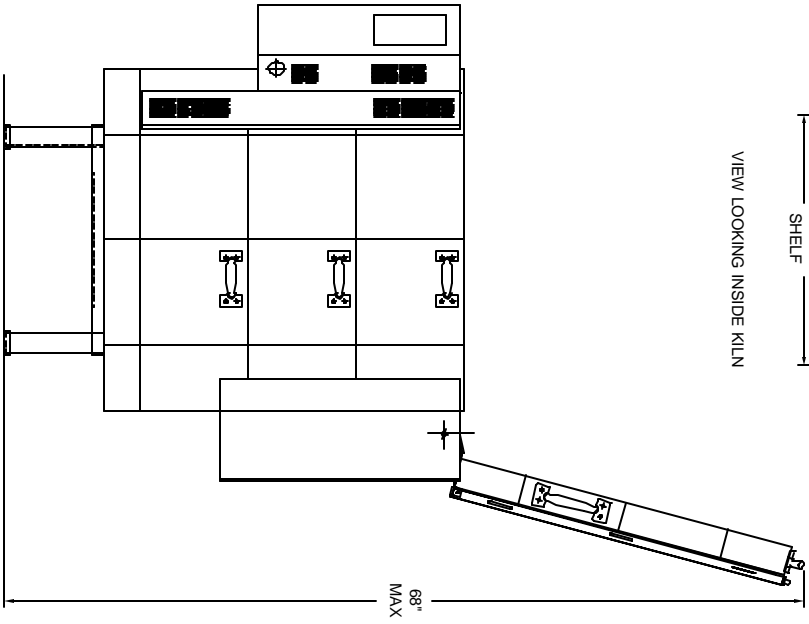
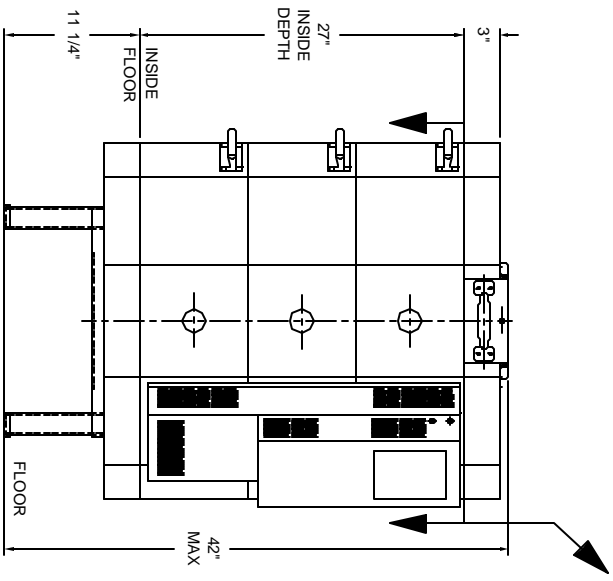


VIEW LOOKING INSIDE KILN



DRAWING NO.	REV	DATE	TITLE	QTY	DATE	DRAWN BY	FILE NAME	APPROVAL
K286-003	1/1	P	0237-3 EASY FIRE ASSEMBLY	1 = 18	10/11/04	RLD	L:\E\LLKILN\EASYFIRE	NEW

