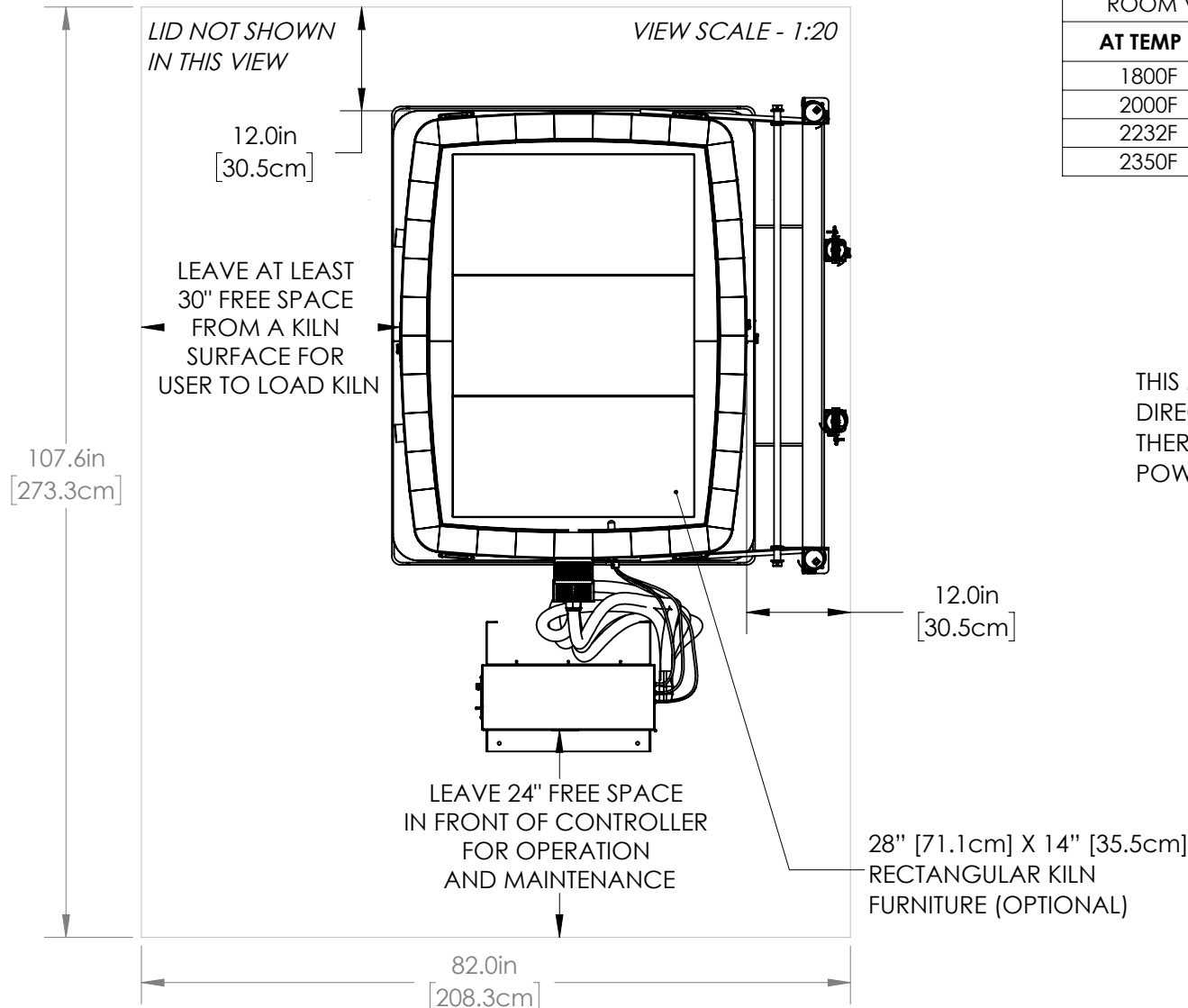


- WALL/KILN SPACING:** 12" [30.5cm] SPACING BETWEEN SIDES OF KILN AND WALLS OR OTHER OBJECTS. 18" [45.7cm] IS RECOMMENDED. LEAVE AT LEAST 18" [45.7cm] BETWEEN TWO KILNS.
- AMBIENT VENTILATION:** SEE CHART TO RIGHT FOR RATINGS. TO CALCULATE REQUIREMENTS, SEE hotkilns.com/calculate-kiln-room-ventilation.
- KILN VENTILATION:** L&L VENT-SURE KILN VENT RECOMMENDED FOR SAFETY AND LONGER ELEMENT LIFE. OPTIONAL CONTROL ALLOWS VENT TO BE TURNED ON AND OFF WITH CONTROL.

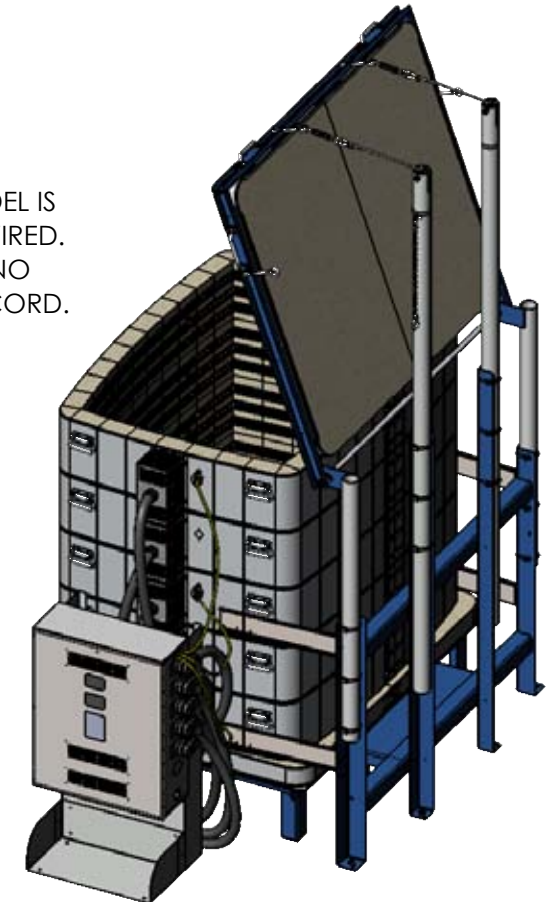
- OTHER INFO:** REFER TO INSTALLATION INSTRUCTIONS AND CAUTIONS INSTRUCTIONS FOR OTHER REQUIREMENTS AND SAFETY INFORMATION. REFER TO WIRING DIAGRAM FOR ELECTRICAL HOOKUP INFORMATION.
- MAX LOAD WEIGHT:** SEE hotkilns.com/load-weight.
- WEIGHT OF KILN:** 1305 LBS, 592 KG

BTUS/ KILOJOULES PER HOUR NEEDED TO BE VENTED WITH AMBIENT ROOM VENTILATION (THIS IS IN ADDITION TO KILN VENTING):

AT TEMP F	BTUS	AT TEMP C	KILOJOULES
1800F	39143	980C	41298
2000F	45759	1095C	48279
2232F	54029	1222C	57004
2350F	58477	1285C	61697

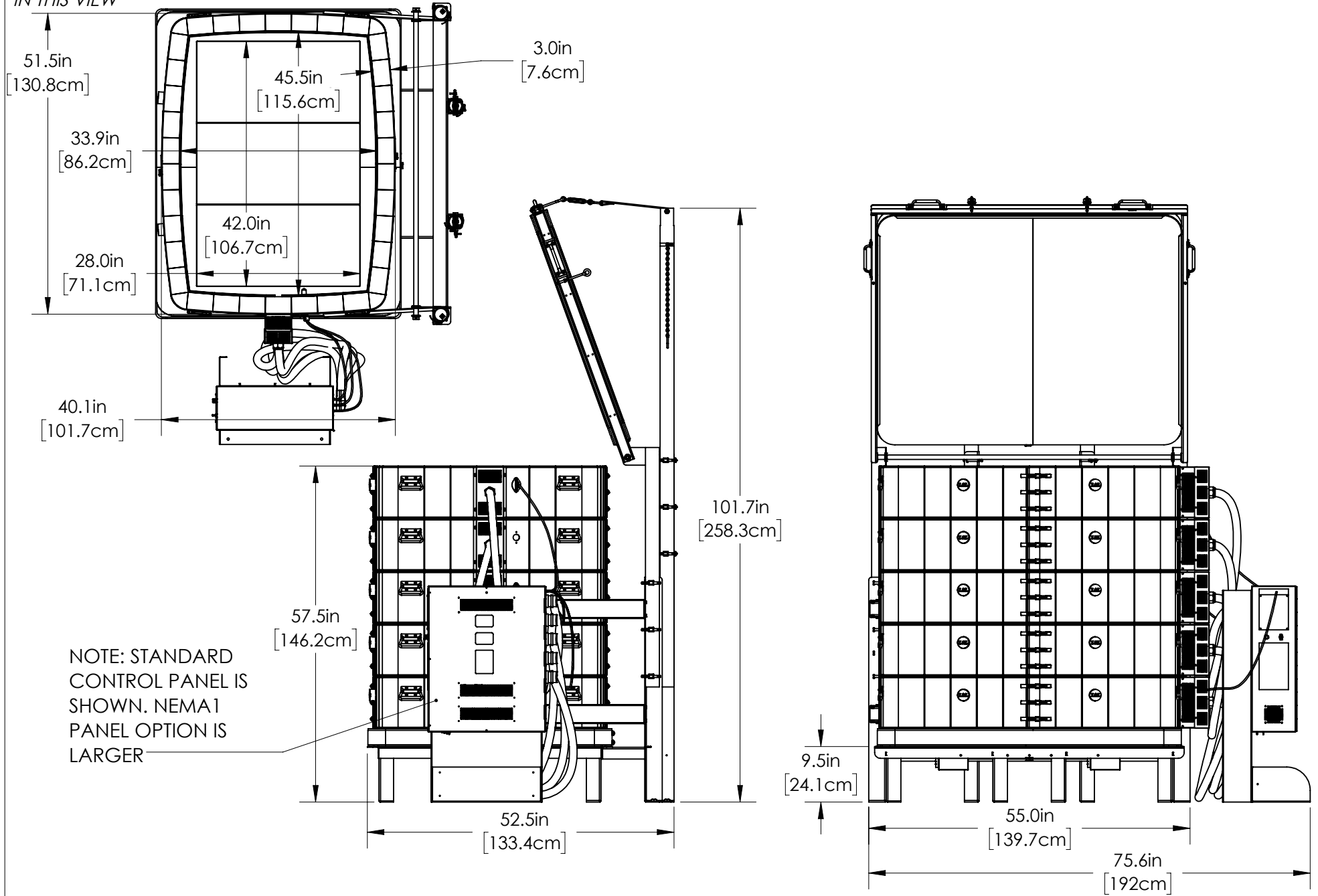


THIS MODEL IS DIRECT WIRED. THERE IS NO POWER CORD.



MADE FROM NEW	DRAWN BY S JL	DATE 04/15/20	SCALE 1:26	TITLE T3445-D (3" BRICK) DAVINCI GENERAL DIMENSIONS	LKilns hotkilns.com	505 SHARPTOWN RD SWEDESBORO NJ 08085 PH: (856) 294-0077 FAX: (856) 294-0070	REV 0	SHEET OF 1/3	DRAWING NO. 300-000-60-5
------------------	------------------	------------------	---------------	--	-------------------------------	--	----------	-----------------	-----------------------------

LID NOT SHOWN
IN THIS VIEW



MADE FROM NEW	DRAWN BY SJL	DATE 04/15/20	SCALE 1:22	TITLE T3445-D (3" BRICK) DAVINCI GENERAL DIMENSIONS	LKilns hotkilns.com	505 SHARPTOWN RD SWEDESBORO NJ 08085 PH: (856) 294-0077 FAX: (856) 294-0070	REV 0	SHEET OF 2/3	DRAWING NO. 300-000-60-5
------------------	-----------------	------------------	---------------	--	-------------------------------	--	-----------------	-----------------	-----------------------------

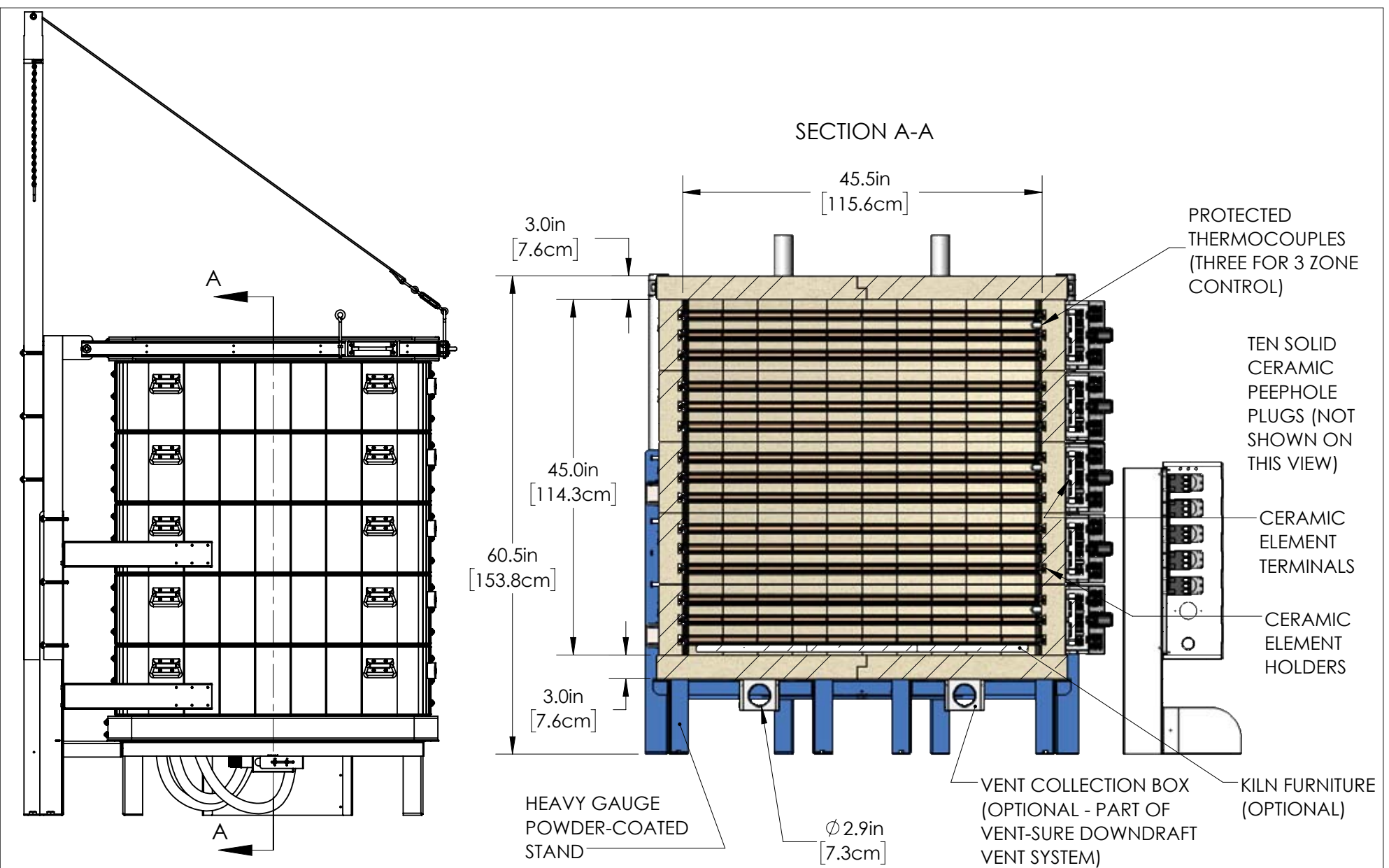
5

4

3

2

1



OPTIONAL FURNITURE KIT: (15) 28" [71.1cm] X 14" [35.5cm] RECTANGULAR SHELVES, (18) EACH 1/2", 1", 2", 4", 6" & 8" SQUARE POSTS

MADE FROM NEW	DRAWN BY SJL	DATE 04/15/20	SCALE 1:17	TITLE T3445-D (3" BRICK) DAVINCI GENERAL DIMENSIONS	LKilns hotkilns.com	505 SHARPTOWN RD SWEDESBORO NJ 08085 PH: (856) 294-0077 FAX: (856) 294-0070	REV 0	SHEET OF 3/3	DRAWING NO. 300-000-60-5
------------------	-----------------	------------------	---------------	--	-------------------------------	--	-----------------	-----------------	-----------------------------