

NOTES:

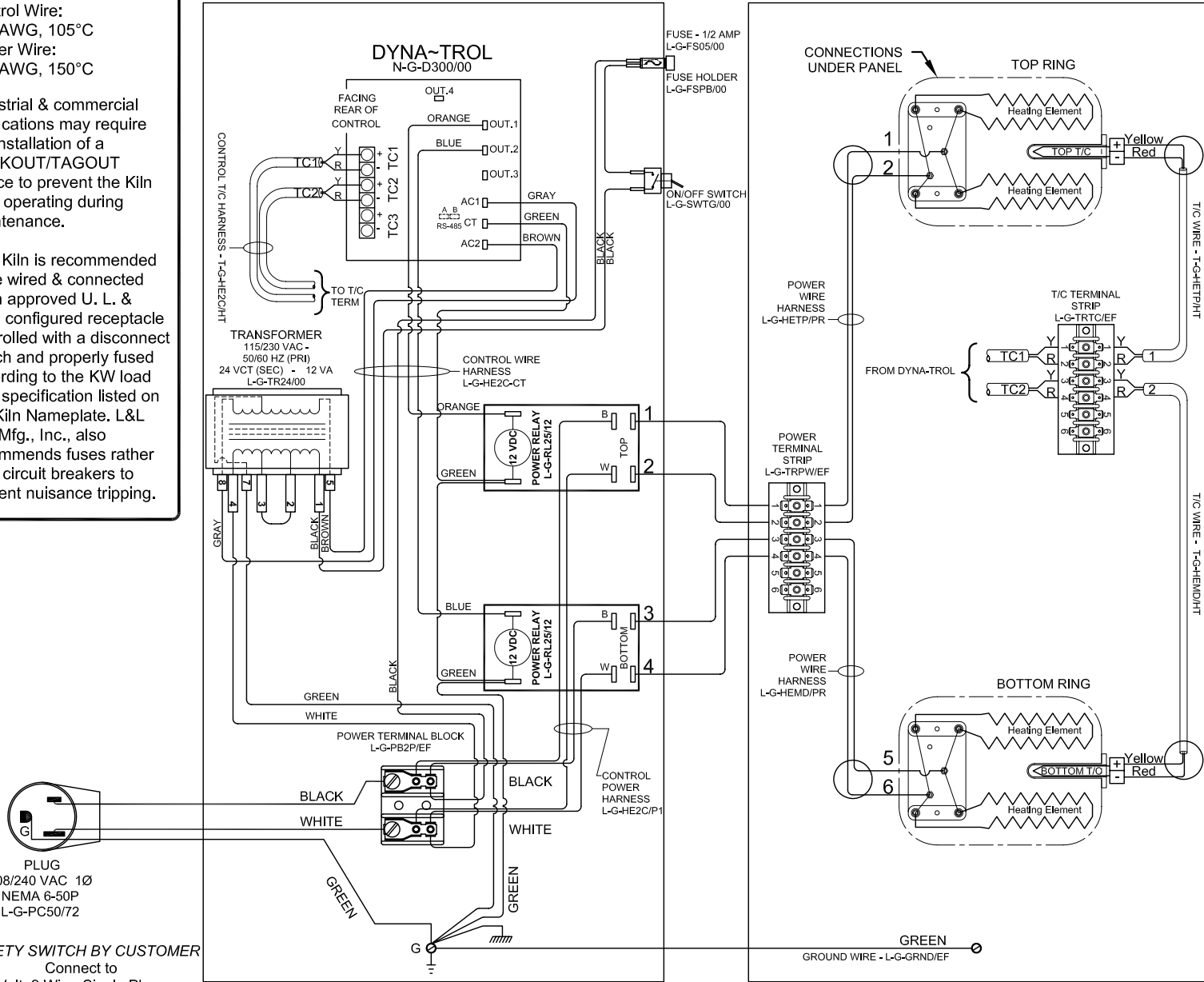
Control Wire:
16 AWG, 105°C
Power Wire:
10 AWG, 150°C

Industrial & commercial applications may require the installation of a LOCKOUT/TAGOUT device to prevent the Kiln from operating during maintenance.

This Kiln is recommended to be wired & connected to an approved U. L. & NEC configured receptacle controlled with a disconnect switch and properly fused according to the KW load specification listed on the Kiln Nameplate. L&L Kiln Mfg., Inc., also recommends fuses rather than circuit breakers to prevent nuisance tripping.

LOOKING INSIDE CONTROL PANEL

LOOKING AT OUTSIDE OF ELEMENT COVER PANEL



Model E28S-208	
VOLTAGE	208 / 1 / 50-60
WATTS	9984
FULL LOAD AMPS	L1 L2 L3 48.0 48.0 X
POWER SUPPLY	FUSE WIRE 60A 6 AWG
ELEMENTS	QTY OHMS 4 16.7
(E-E-28SX-21)	
Model E28S-220	
VOLTAGE	220 / 1 / 50-60
WATTS	10500
FULL LOAD AMPS	L1 L2 L3 47.7 47.7 X
POWER SUPPLY	FUSE WIRE 60A 6 AWG
ELEMENTS	QTY OHMS 4 17.7
(E-E-28SX-41)	
Model E28S-240	
VOLTAGE	240 / 1 / 50-60
WATTS	11500
FULL LOAD AMPS	L1 L2 L3 47.9 47.9 X
POWER SUPPLY	FUSE WIRE 60A 6 AWG
ELEMENTS	QTY OHMS 4 19.3
(E-E-28SX-31)	

SAFETY SWITCH BY CUSTOMER
Connect to
240 Volt, 2 Wire, Single Phase - or
220 Volt, 2 Wire, Single Phase - or
208 Volt, 2 Wire, Single Phase
50 or 60 Cycles.



REV. #	DATE	REVISION DESCRIPTION
0	3/25/03	FIRST ISSUE

DRAWING NO. K288-151	SHEET OF 1/1	REV 0	 8 CREEK PARKWAY PO BOX 1898 BOOTHWYN, PA 19061 hotkilns.com	TITLE MODEL E28S EASY-FIRE KILN 1 PHASE WIRING DIAGRAM	SCALE 1 = 8	DATE 3/25/03	DRAWN BY G.D.L.	FILE NAME L:\E\LLKILN\EASYFIRE K288-151.DWG	MADE FROM K288-151
--------------------------------	------------------------	-----------------	--	--	-----------------------	------------------------	---------------------------	---	------------------------------