

NOTES:

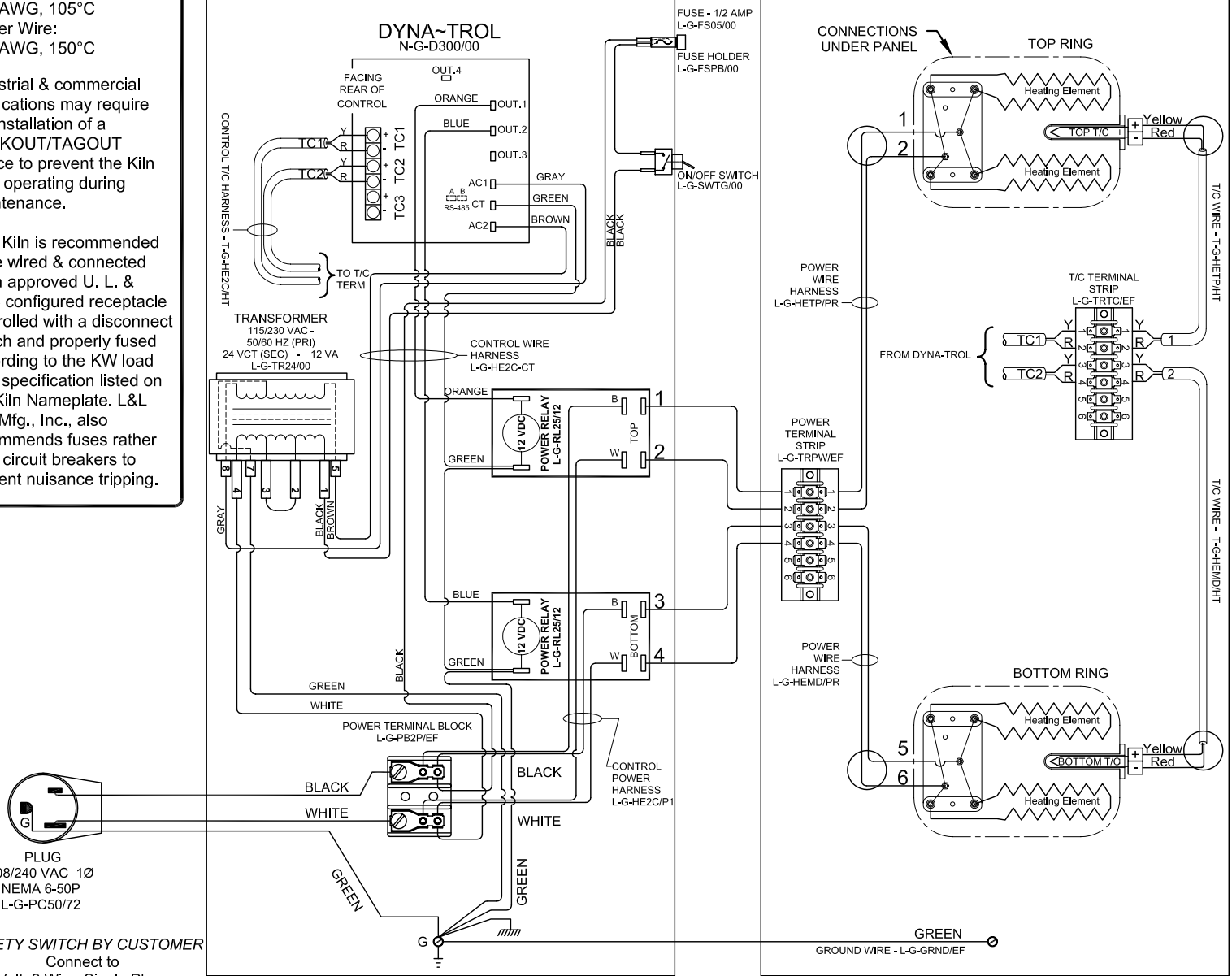
Control Wire:
16 AWG, 105°C
Power Wire:
10 AWG, 150°C

Industrial & commercial applications may require the installation of a LOCKOUT/TAGOUT device to prevent the Kiln from operating during maintenance.

This Kiln is recommended to be wired & connected to an approved U. L. & NEC configured receptacle controlled with a disconnect switch and properly fused according to the KW load specification listed on the Kiln Nameplate. L&L Kiln Mfg., Inc., also recommends fuses rather than circuit breakers to prevent nuisance tripping.

LOOKING INSIDE CONTROL PANEL

LOOKING AT OUTSIDE OF ELEMENT COVER PANEL



Model E23S-208	
VOLTAGE	208 / 1 / 50-60
WATTS	8320
FULL LOAD AMPS	L1 L2 L3 40.0 40.0 X
POWER SUPPLY	FUSE WIRE 50A 6 AWG
ELEMENTS	QTY OHMS 4 20.0
Model E23S-220	
VOLTAGE	220 / 1 / 50-60
WATTS	8660
FULL LOAD AMPS	L1 L2 L3 39.4 39.4 X
POWER SUPPLY	FUSE WIRE 50A 6 AWG
ELEMENTS	QTY OHMS 4 21.5
Model E23S-240	
VOLTAGE	240 / 1 / 50-60
WATTS	9460
FULL LOAD AMPS	L1 L2 L3 39.4 39.4 X
POWER SUPPLY	FUSE WIRE 50A 6 AWG
ELEMENTS	QTY OHMS 4 23.5

SAFETY SWITCH BY CUSTOMER
Connect to
240 Volt, 2 Wire, Single Phase - or
220 Volt, 2 Wire, Single Phase - or
208 Volt, 2 Wire, Single Phase
50 or 60 Cycles.

