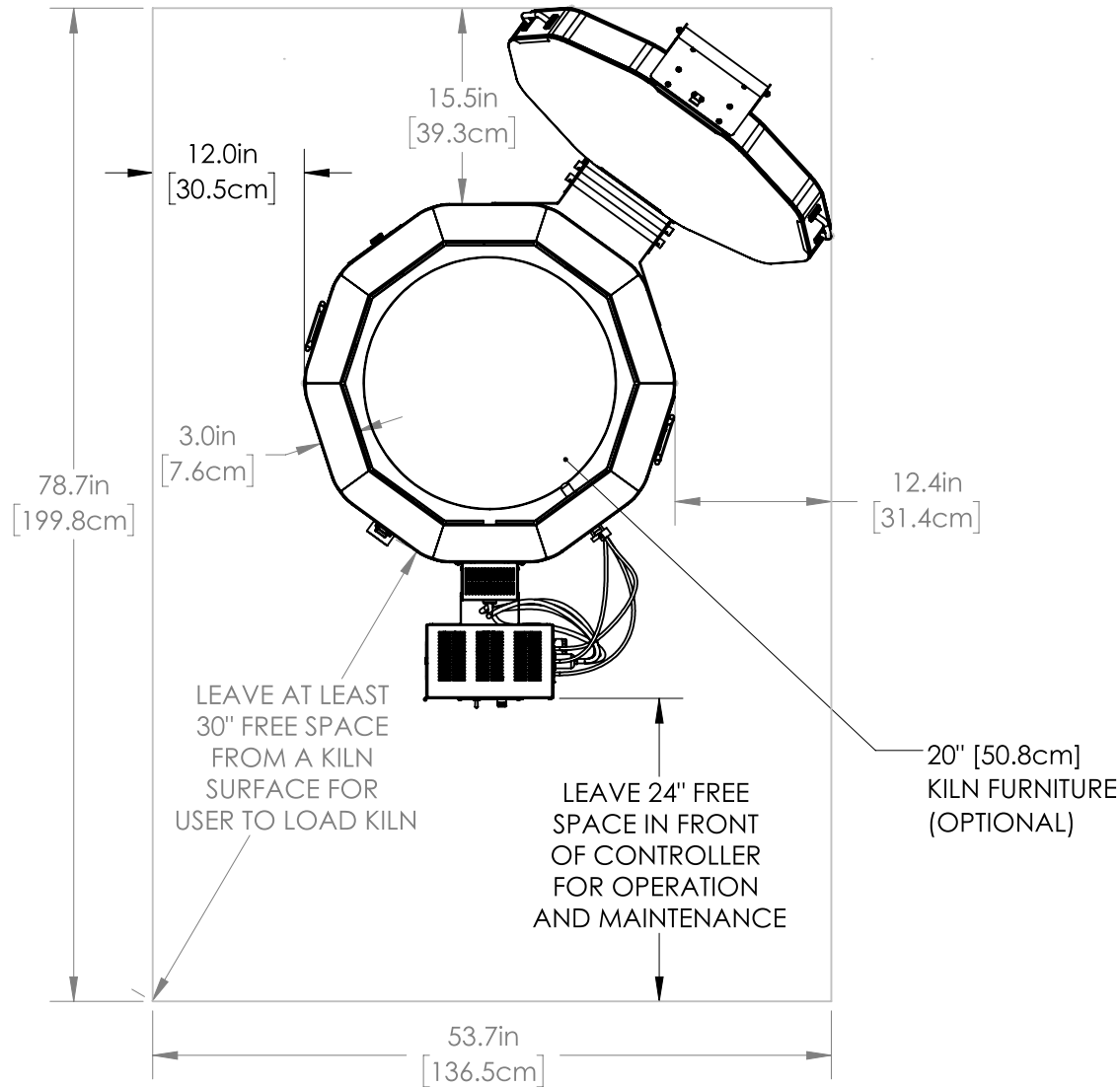


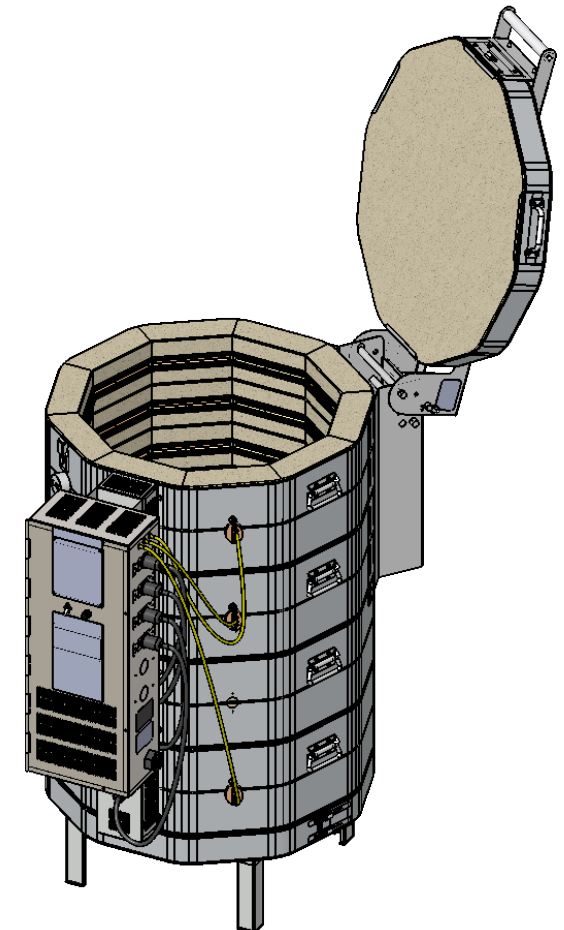
1. WALL/KILN SPACING: 12" [30.5cm] SPACING BETWEEN SIDES OF KILN AND WALLS OR OTHER OBJECTS. 18" [45.7cm] IS RECOMMENDED. LEAVE AT LEAST 18" [45.7cm] BETWEEN TWO KILNS.
2. AMBIENT VENTILATION: SEE CHART TO RIGHT FOR RATINGS. TO CALCULATE REQUIREMENTS, SEE [hotkilns.com/calculate-kiln-room-ventilation](http://hotkilns.com/calculate-kiln-room-ventilation).
3. KILN VENTILATION: L&L VENT-SURE KILN VENT RECOMMENDED FOR SAFETY AND LONGER ELEMENT LIFE. OPTIONAL CONTROL ALLOWS VENT TO BE TURNED ON AND OFF WITH CONTROL.

4. OTHER INFO: REFER TO INSTALLATION INSTRUCTIONS AND CAUTIONS INSTRUCTIONS FOR OTHER REQUIREMENTS AND SAFETY INFORMATION. REFER TO WIRING DIAGRAM FOR ELECTRICAL HOOKUP INFORMATION.
5. MAX LOAD WEIGHT: SEE [hotkilns.com/load-weight](http://hotkilns.com/load-weight).
6. WEIGHT OF KILN : 385 LBS, 175 KG

BTUS/ KILOJOULES PER HOUR NEEDED TO BE VENTED WITH AMBIENT ROOM VENTILATION (THIS IS IN ADDITION TO KILN VENTING):			
AT TEMP F	BTUS	AT TEMP C	KILOJOULES
1800F	14426	980C	15220
2000F	16864	1095C	17792
2232F	19911	1222C	21007
2350F	21550	1285C	22736



THIS MODEL IS DIRECT WIRED. THERE IS NO POWER CORD.



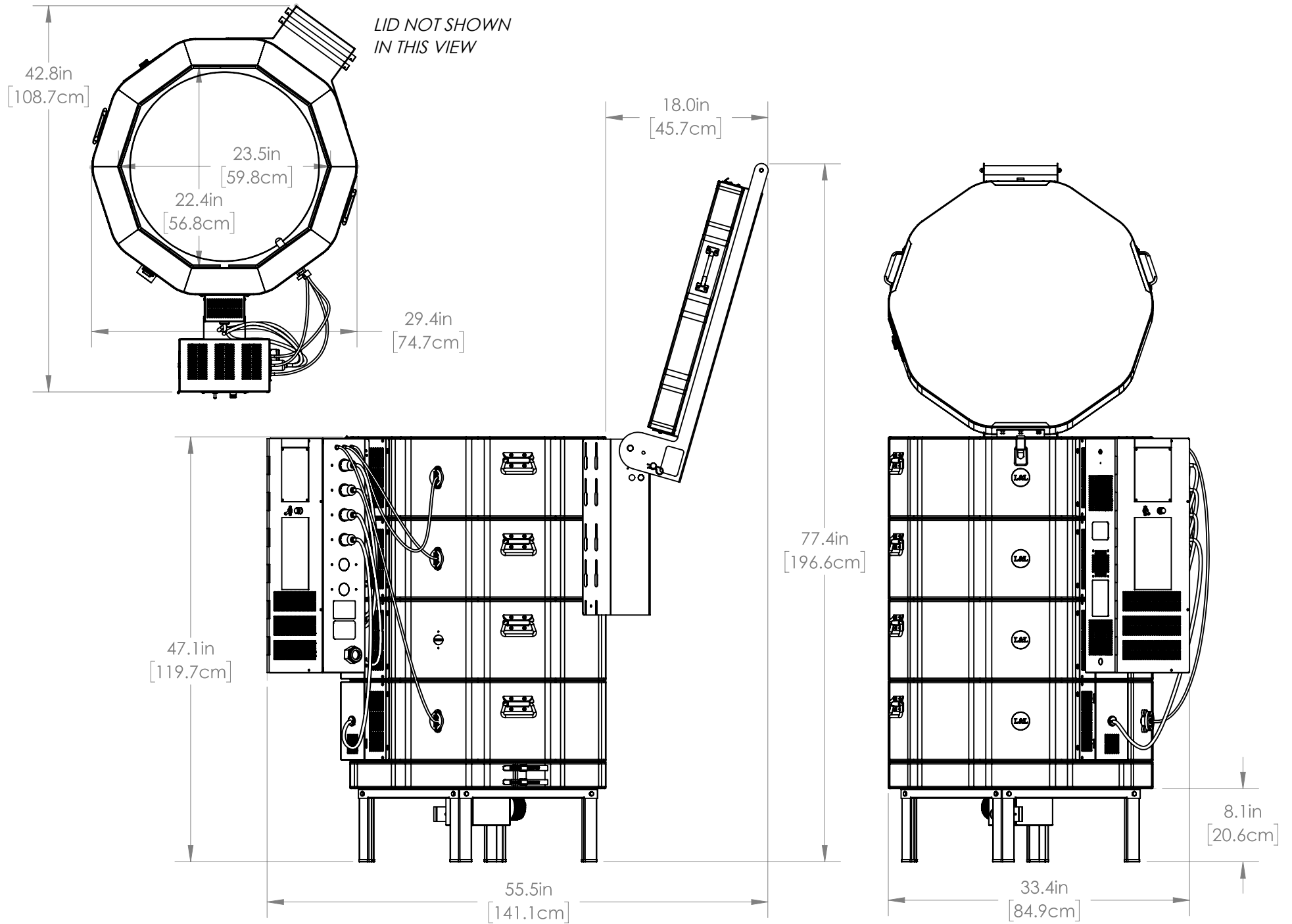
MADE FROM NEW  
 DRAWN BY DSL  
 DATE 02/01/20  
 SCALE 1:15  
 TITLE JD236V-3 (3" BRICK) GENERAL DIMENSIONS



505 SHARPTOWN RD  
 SWEDESBORO NJ 08085  
 PH: (856) 294-0077  
 FAX: (856) 294-0070

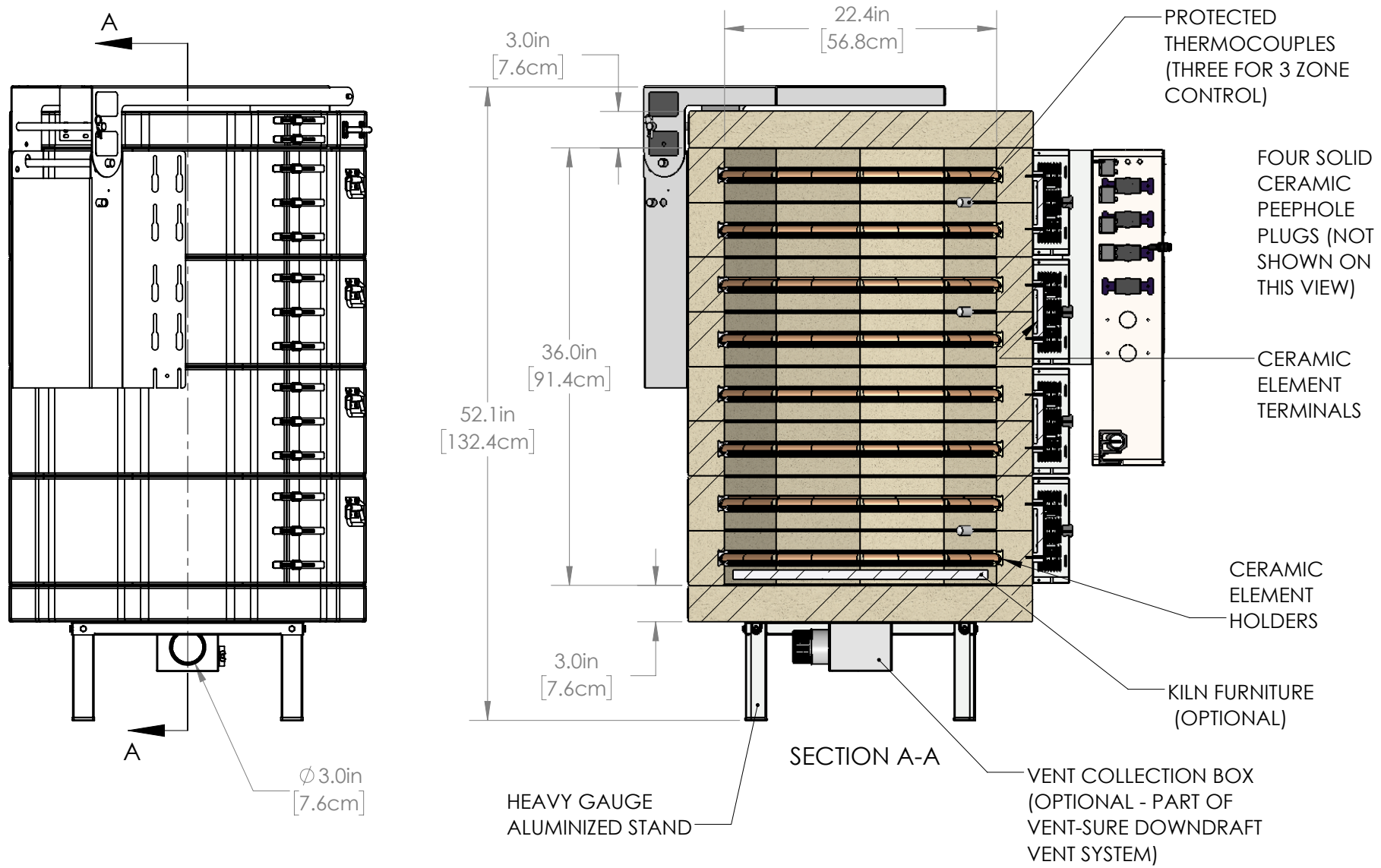
REV 0  
 SHEET OF 1/3  
 DRAWING NO. 235-000-50-4

LID NOT SHOWN  
IN THIS VIEW



MADE FROM NEW	DRAWN BY DSL	DATE 02/01/20	SCALE 1:14	TITLE JD236V-3 (3" BRICK) GENERAL DIMENSIONS	 505 SHARPTOWN RD SWEDESBORO NJ 08085 PH: (856) 294-0077 FAX: (856) 294-0070	REV 0	SHEET OF 2/3	DRAWING NO. 235-000-50-4
------------------	-----------------	------------------	---------------	---	--	----------	-----------------	-----------------------------

5 4 3 2 1



OPTIONAL FURNITURE KIT: (3) 20" [50.8cm] FULL ROUND SHELVES, (4) HALF ROUND SHELVES, SIX EACH 1/2", 1", 2", 4", 6" & 8" SQUARE POSTS

MADE FROM NEW	DRAWN BY DSL	DATE 02/01/20	SCALE 1:12	TITLE JD236V-3 (3" BRICK) GENERAL DIMENSIONS		<small>505 SHARPTOWN RD SWEDESBORO NJ 08085 PH: (856) 294-0077 FAX: (856) 294-0070</small>	REV 0	SHEET OF 3/3	DRAWING NO. 235-000-50-4
------------------	-----------------	------------------	---------------	---	--	--	----------	-----------------	-----------------------------