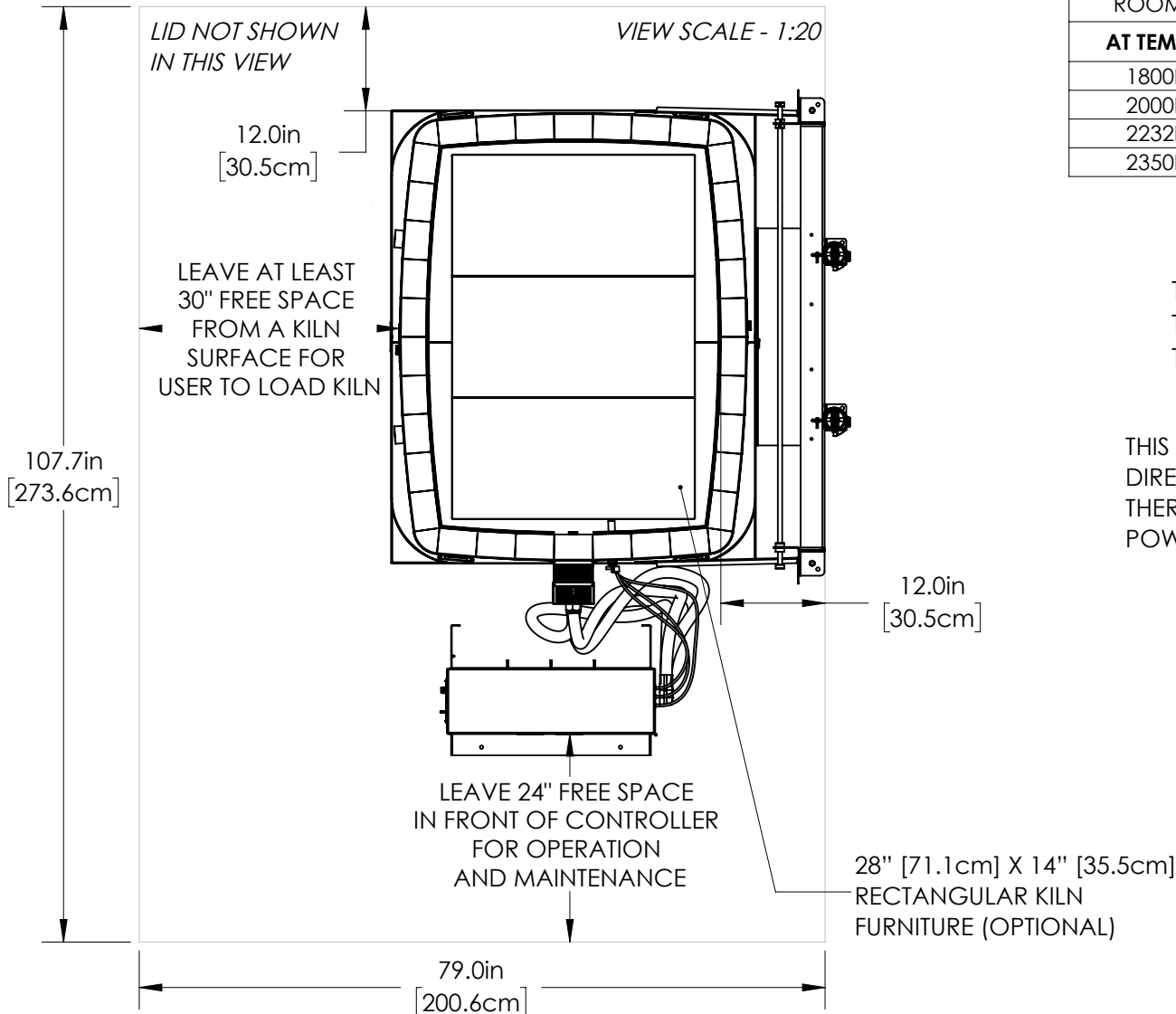


- WALL/KILN SPACING:** 12" [30.5cm] SPACING BETWEEN SIDES OF KILN AND WALLS OR OTHER OBJECTS. 18" [45.7cm] IS RECOMMENDED. LEAVE AT LEAST 18" [45.7cm] BETWEEN TWO KILNS.
- AMBIENT VENTILATION:** SEE CHART TO RIGHT FOR RATINGS. TO CALCULATE REQUIREMENTS, SEE [hotkilns.com/calculate-kiln-room-ventilation](http://hotkilns.com/calculate-kiln-room-ventilation).
- KILN VENTILATION:** L&L VENT-SURE KILN VENT RECOMMENDED FOR SAFETY AND LONGER ELEMENT LIFE. OPTIONAL CONTROL ALLOWS VENT TO BE TURNED ON AND OFF WITH CONTROL.

- OTHER INFO:** REFER TO INSTALLATION INSTRUCTIONS AND CAUTIONS INSTRUCTIONS FOR OTHER REQUIREMENTS AND SAFETY INFORMATION. REFER TO WIRING DIAGRAM FOR ELECTRICAL HOOKUP INFORMATION.
- MAX LOAD WEIGHT:** SEE [hotkilns.com/load-weight](http://hotkilns.com/load-weight).
- WEIGHT OF KILN:** 1190 LBS, 540 KG

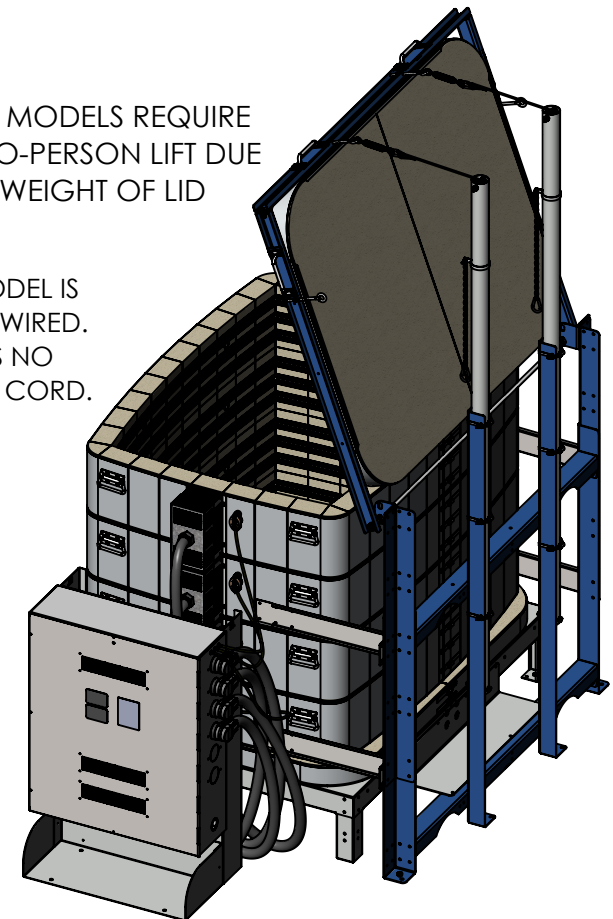
BTUS/ KILOJOULES PER HOUR NEEDED TO BE VENTED WITH AMBIENT ROOM VENTILATION (THIS IS IN ADDITION TO KILN VENTING):

AT TEMP F	BTUS	AT TEMP C	KILOJOULES
1800F	33526	980C	35372
2000F	39194	1095C	41352
2232F	46279	1222C	48827
2350F	50090	1285C	52848

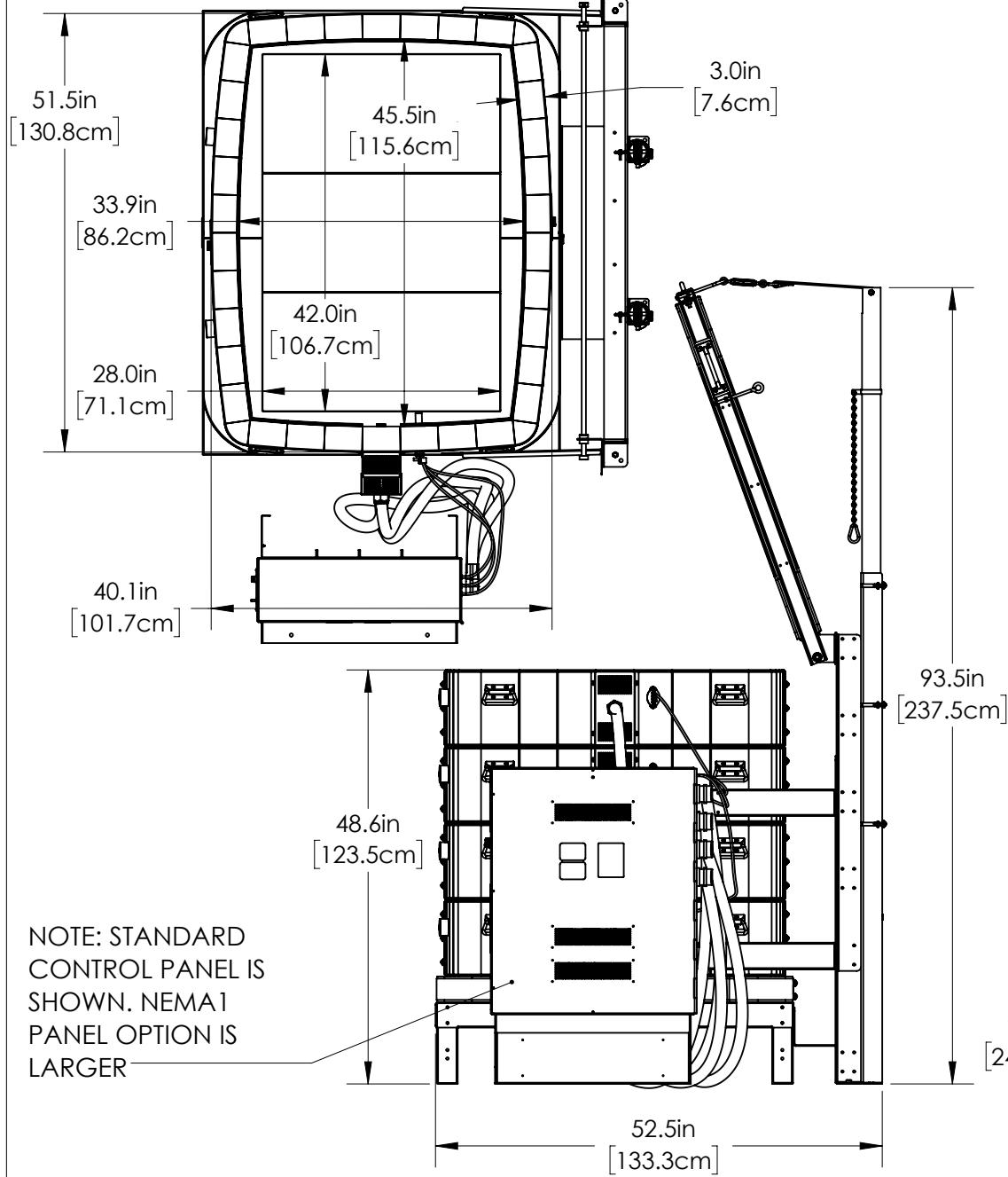


T34 MODELS REQUIRE TWO-PERSON LIFT DUE TO WEIGHT OF LID

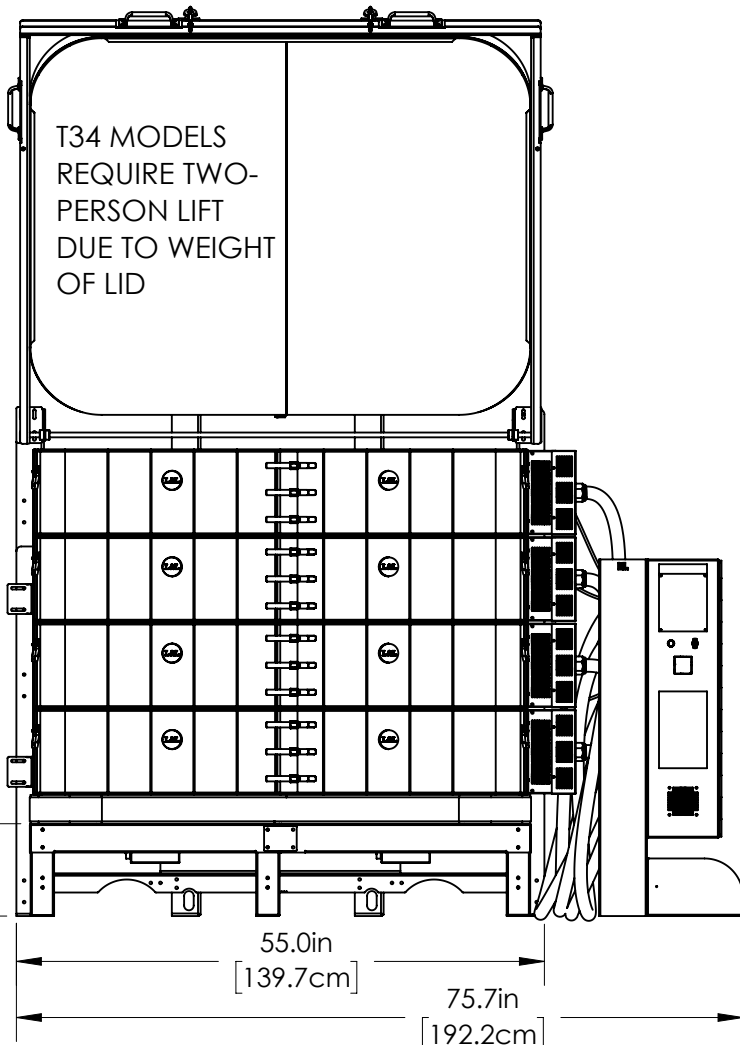
THIS MODEL IS DIRECT WIRED. THERE IS NO POWER CORD.



LID NOT SHOWN  
IN THIS VIEW



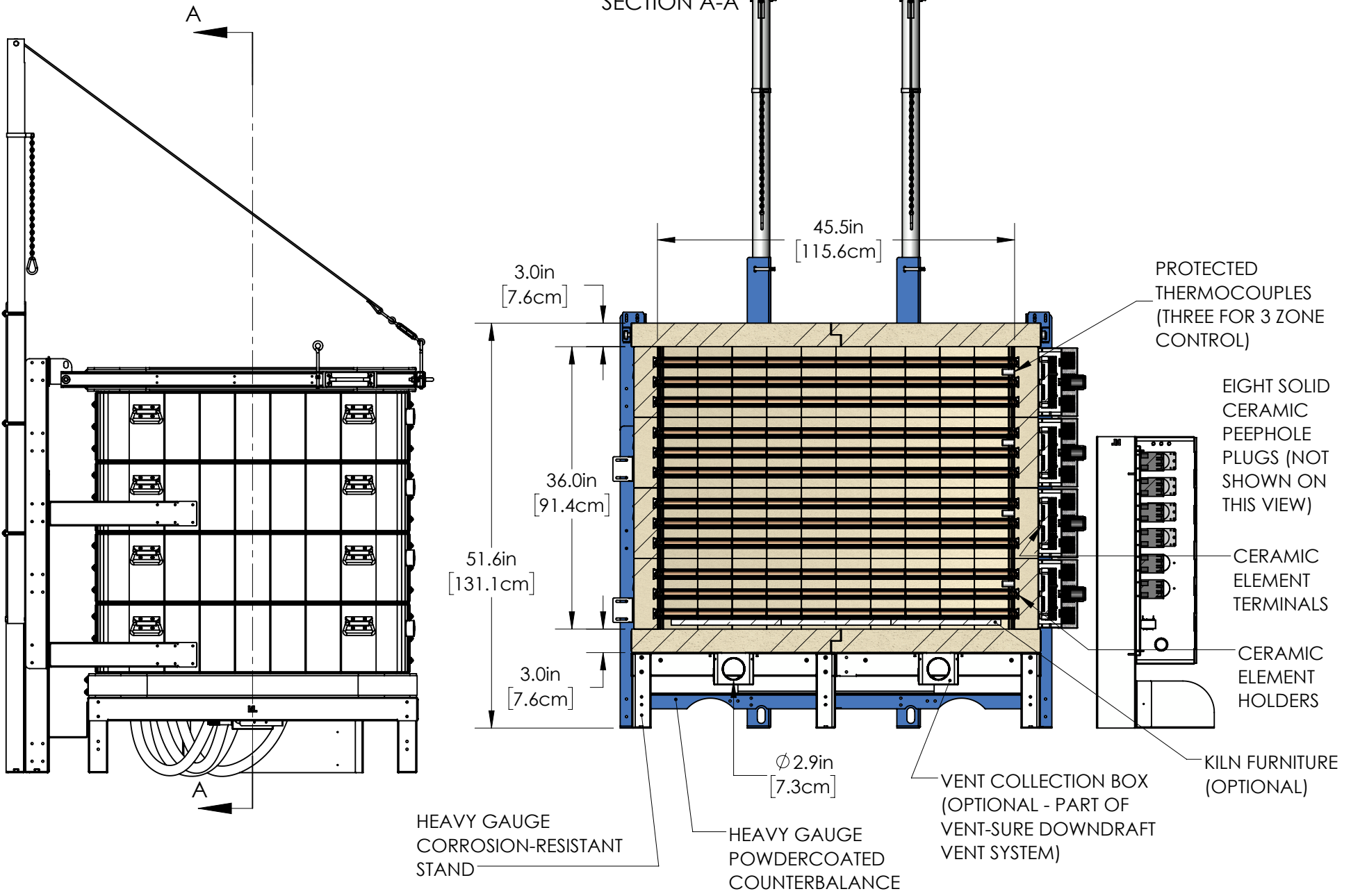
EXPANDABILITY: THIS MODEL CAN BE EXPANDED TO A T3445 BY ADDING ONE SECTION AND ADDING CORRESPONDING CIRCUITS IN THE CONTROL PANEL.



NOTE: STANDARD CONTROL PANEL IS SHOWN. NEMA1 PANEL OPTION IS LARGER

MADE FROM NEW	DRAWN BY SJL	DATE 04/15/20	SCALE 1:20	TITLE T3436-D (3" BRICK) DAVINCI GENERAL DIMENSIONS		505 SHARPTOWN RD SWEDESBORO NJ 08085 PH: (856) 294-0077 FAX: (856) 294-0070	REV 0	SHEET OF 2/3	DRAWING NO. 300-000-60-4
------------------	-----------------	------------------	---------------	--	---	--	----------	-----------------	-----------------------------

SECTION A-A



MADE FROM NEW	DRAWN BY SJL	DATE 04/15/20	SCALE 1:17	TITLE T3436-D (3" BRICK) DAVINCI GENERAL DIMENSIONS		505 SHARPTOWN RD SWEDESBORO NJ 08085 PH: (856) 294-0077 FAX: (856) 294-0070	REV 0	SHEET OF 3/3	DRAWING NO. 300-000-60-4
------------------	-----------------	------------------	---------------	--	---	--	----------	-----------------	-----------------------------