

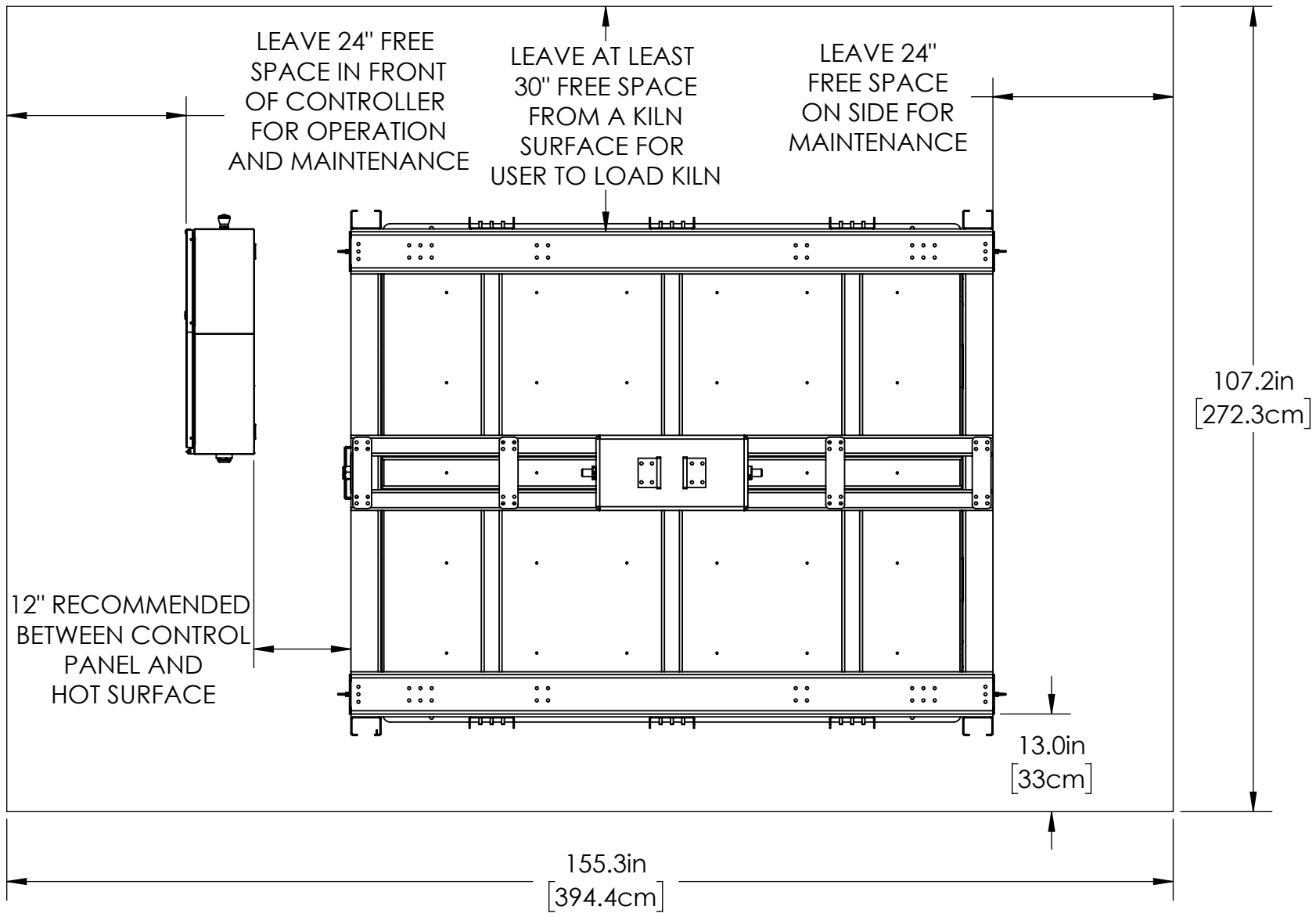
- WALL/KILN SPACING:** 12" [30.5cm] SPACING BETWEEN SIDES OF KILN AND WALLS OR OTHER OBJECTS. 18" [45.7cm] IS RECOMMENDED. LEAVE AT LEAST 18" [45.7cm] BETWEEN TWO KILNS.
- KILN VENTILATION:** L&L VENT-SURE KILN VENT RECOMMENDED FOR SAFETY AND LONGER ELEMENT LIFE. OPTIONAL CONTROL ALLOWS VENT TO BE TURNED ON AND OFF WITH CONTROL.

- OTHER INFO:** REFER TO INSTALLATION INSTRUCTIONS AND CAUTIONS INSTRUCTIONS FOR OTHER REQUIREMENTS AND SAFETY INFORMATION. REFER TO WIRING DIAGRAM FOR ELECTRICAL HOOKUP INFORMATION.
- MAX LOAD WEIGHT:** SEE [hotkilns.com/load-weight](http://hotkilns.com/load-weight)
- WEIGHT OF KILN:** 4400 LBS, 1996 KG

# CLEARANCES, LAYOUT & INSTALLATION

D

D



C

C

B

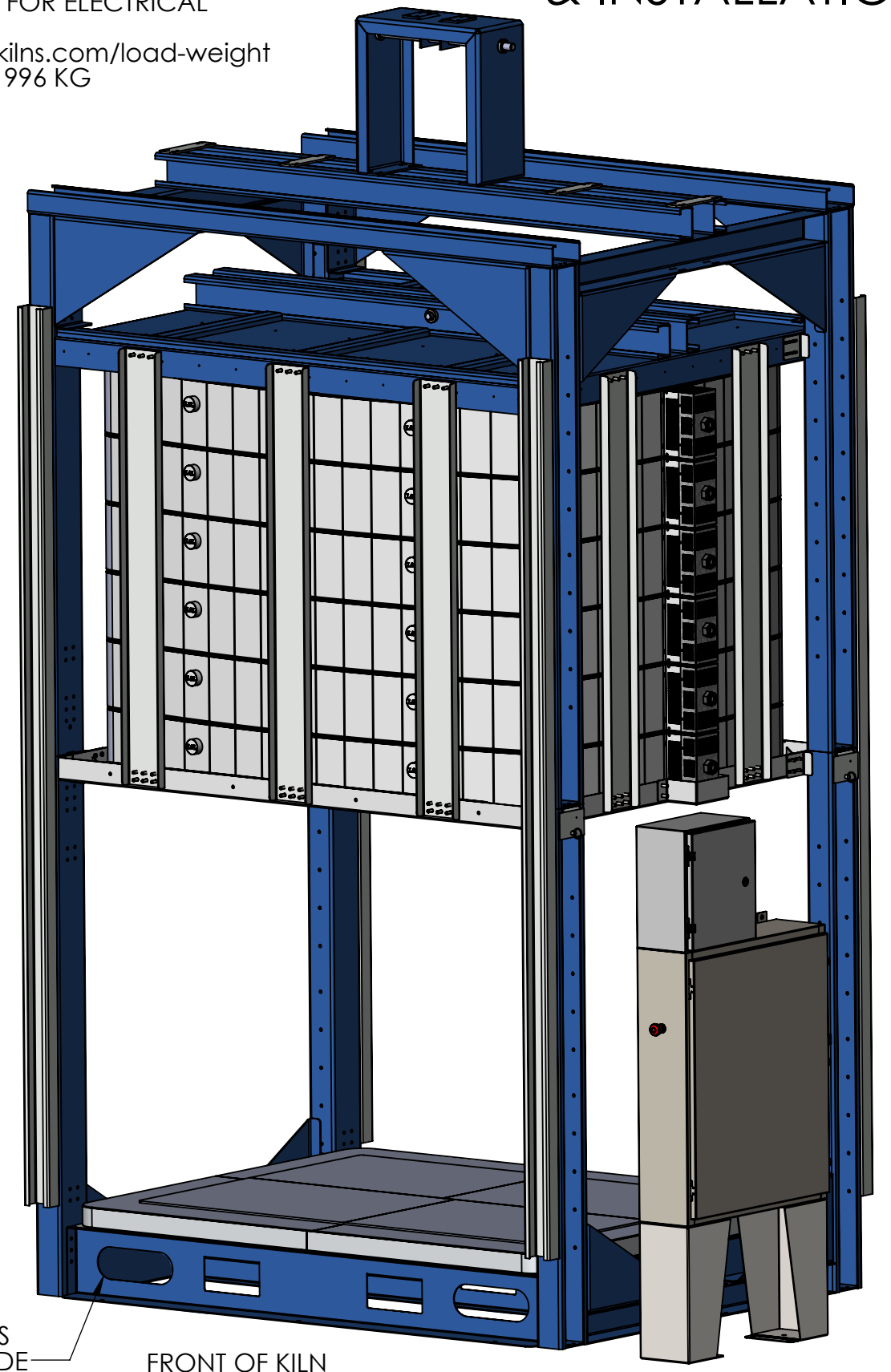
B

A

A

THIS MODEL IS DIRECT WIRED.

IF CONTROL PANEL IS TO BE LOCATED SOMEWHERE OTHER THAN AS SHOWN, LONGER POWER CORDS MUST BE SPECIFIED.

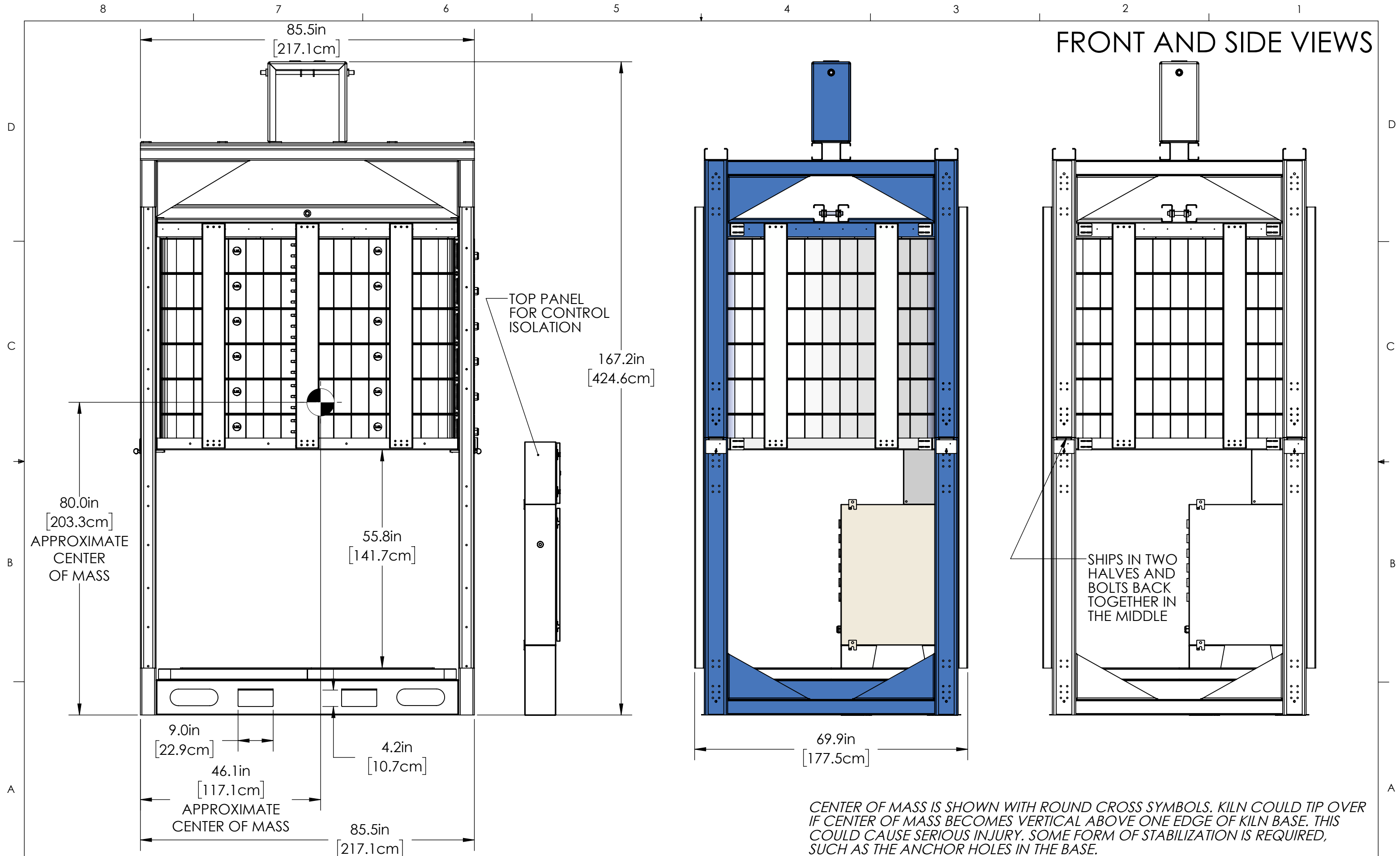


THE INFORMATION CONTAINED IN THIS DRAWING IS THE SOLE PROPERTY OF L&L KILN MFG INC. ANY REPRODUCTION IN PART OR AS A WHOLE WITHOUT THE WRITTEN PERMISSION OF L&L KILN MFG INC. IS PROHIBITED.

MADE FROM NEW  
 DRAWN BY DSL  
 DATE 08/27/20  
 SCALE 1:20  
 TITLE TB644754-BL (3" BRICK) DAVINCI JUMBO BELL-LIFT GENERAL DIMENSIONS

**L&L Kilns**  
 hotkilns.com  
 505 SHARPTOWN RD  
 SWEDESBORO NJ 08085  
 PH: (856) 294-0077  
 FAX: (856) 294-0070

REV A  
 SHEET OF 1/4  
 DRAWING NO. 325-001-86



THE INFORMATION CONTAINED IN THIS DRAWING IS THE SOLE PROPERTY OF L&L KILN MFG INC. ANY REPRODUCTION IN PART OR AS A WHOLE WITHOUT THE WRITTEN PERMISSION OF L&L KILN MFG INC. IS PROHIBITED.

MADE FROM  
NEW

DRAWN BY  
DSL

DATE  
08/27/20

SCALE  
1:22

TITLE  
TB644754-BL (3" BRICK) DAVINCI JUMBO BELL-LIFT GENERAL DIMENSIONS

**L&L Kilns**  
hotkilns.com

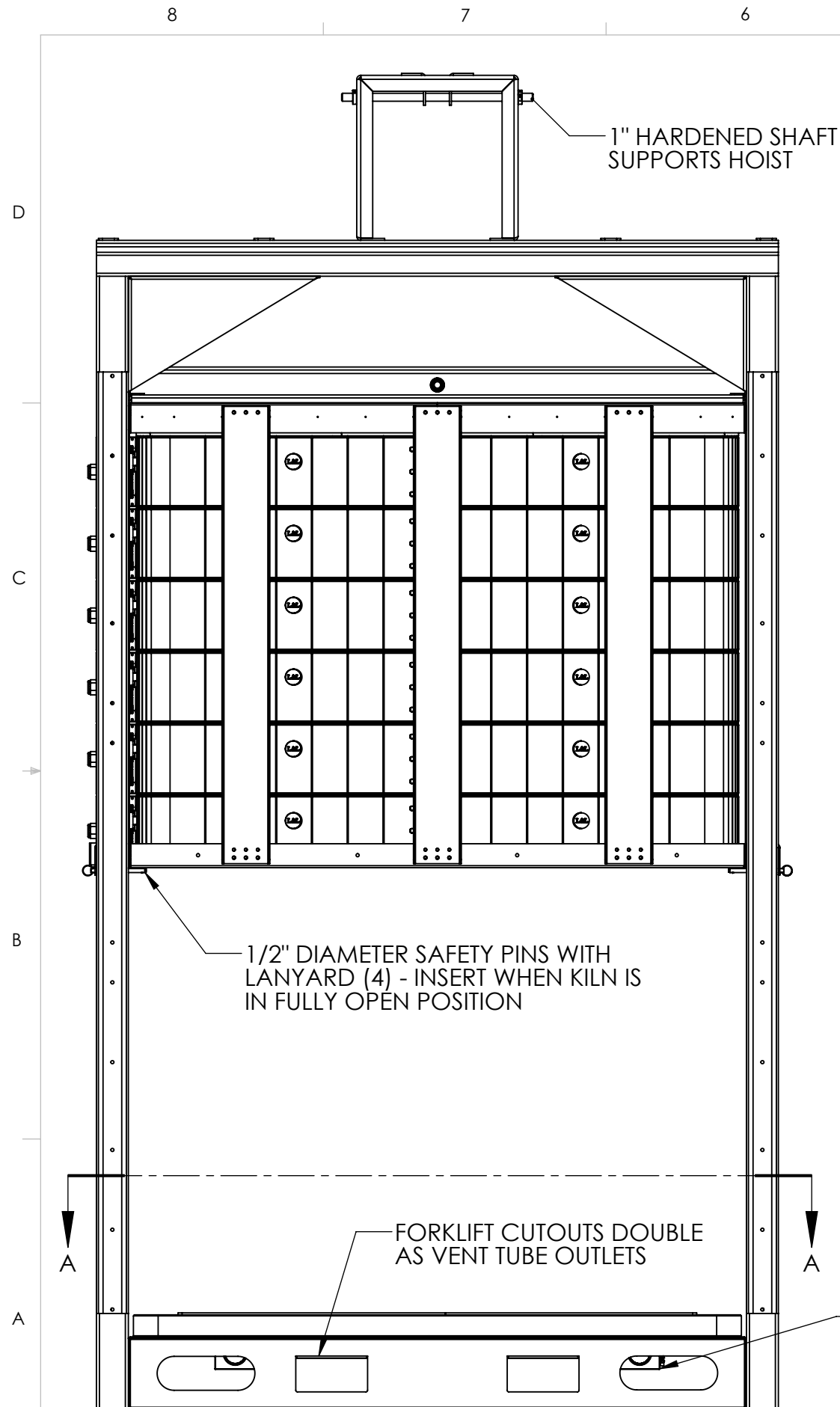
505 SHARPTOWN RD  
SWEDESBORO NJ 08085  
PH: (856) 294-0077  
FAX: (856) 294-0070

REV  
A

SHEET OF  
2/4

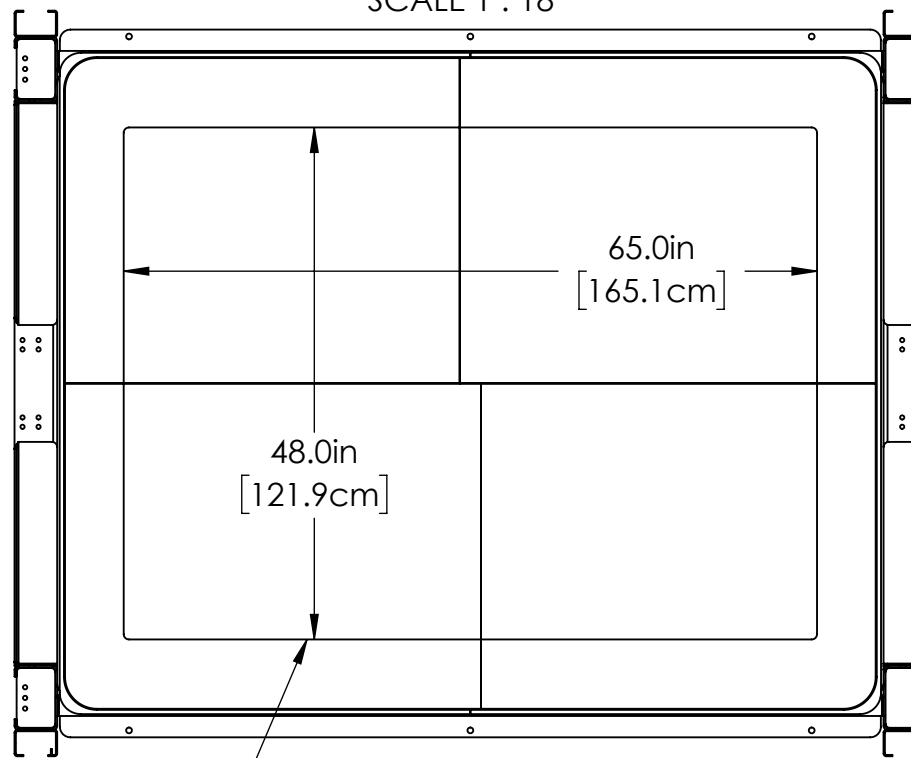
DRAWING NO.  
325-001-86

# INTERIOR SECTION VIEW, TOP & BOTTOM VIEWS

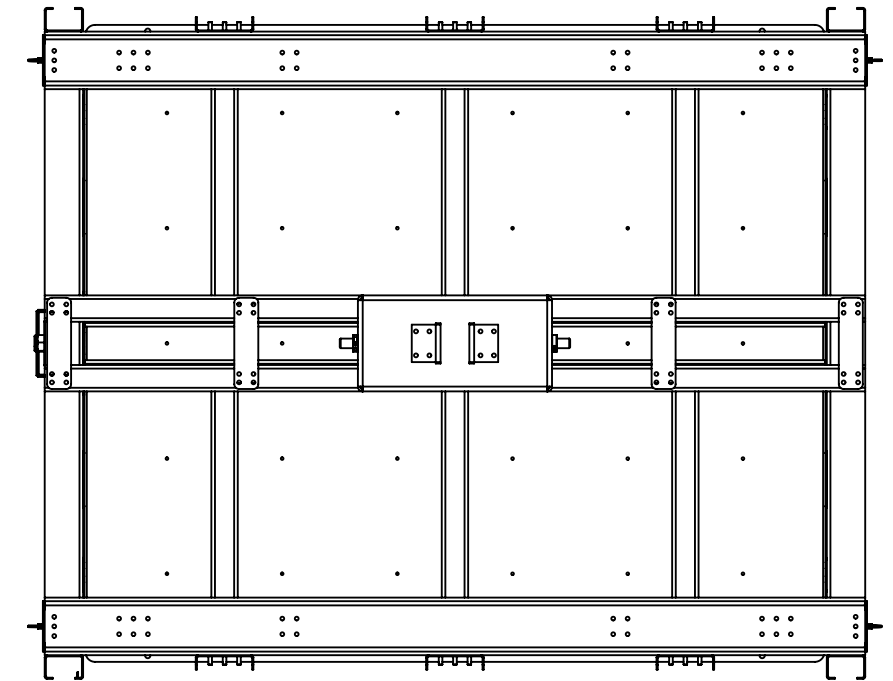


VIEW OF BRICK BOTTOM, FROM ABOVE

SECTION A-A  
SCALE 1 : 18

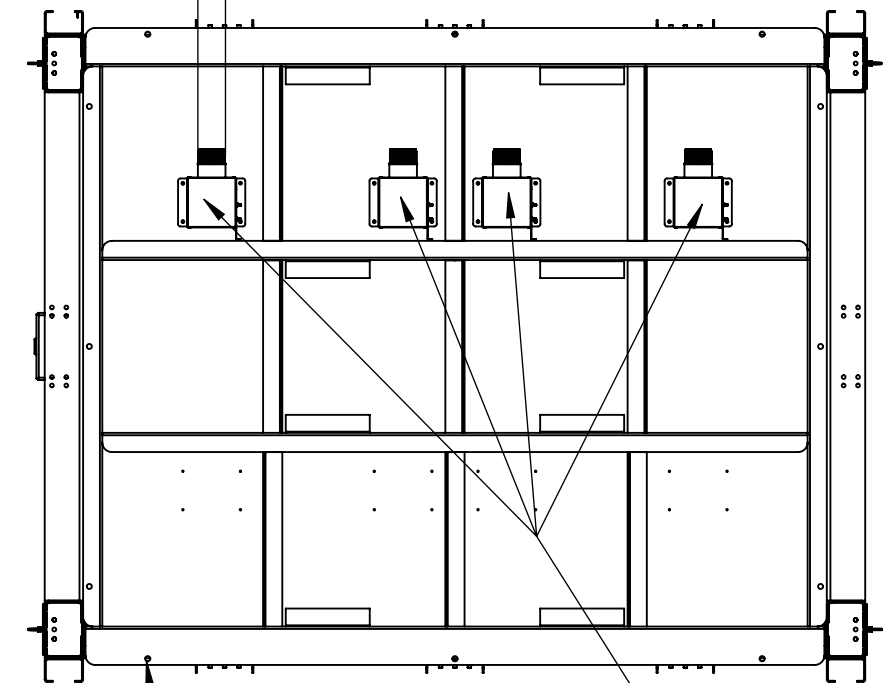


TOP VIEW

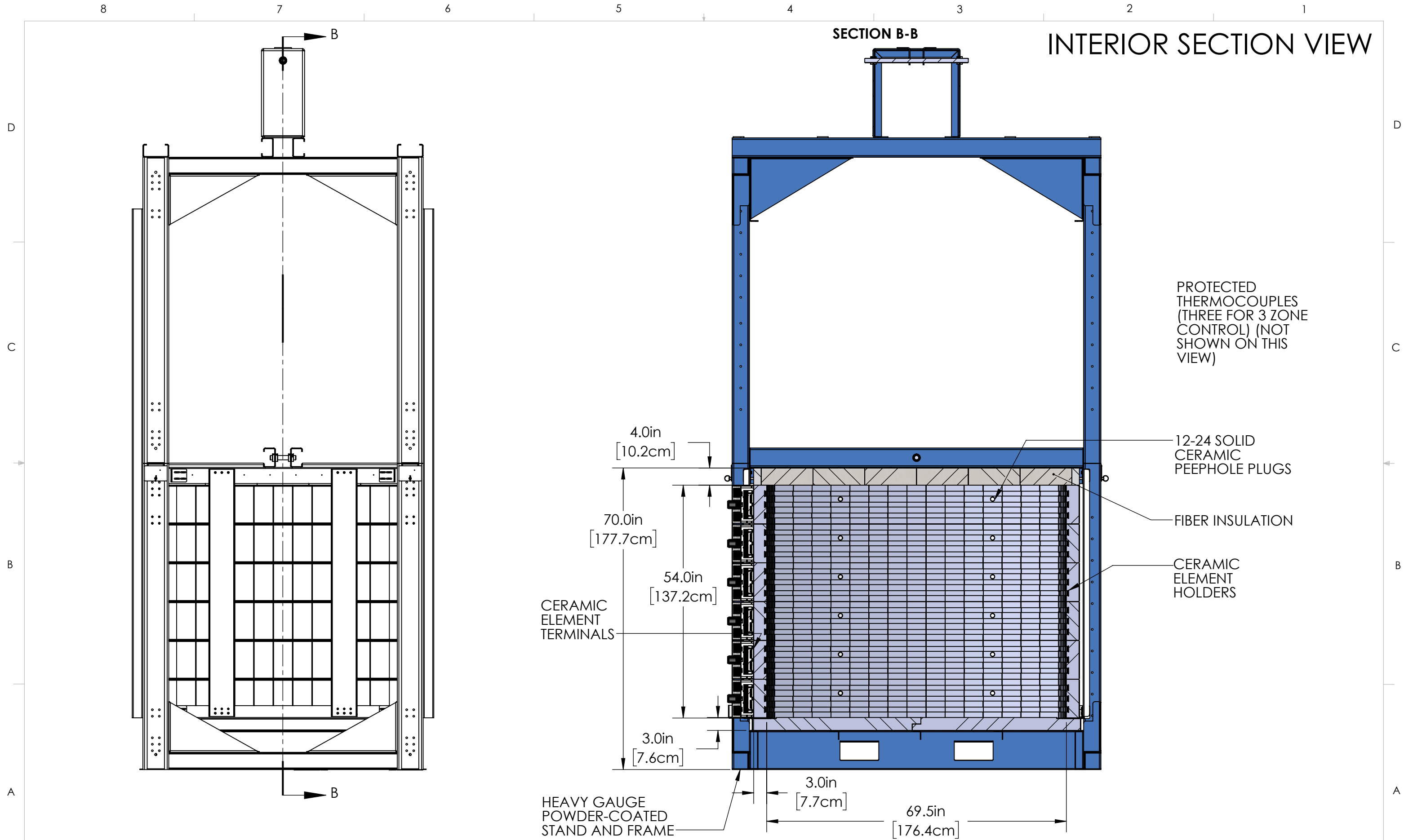


Ø 2.9in [7.3cm]  
VENT OUTLET

BOTTOM VIEW



6 FLOOR ANCHOR HOLES ARE EASY TO DRILL THROUGH WITH EXTENDED FLANGES



THE INFORMATION CONTAINED IN THIS DRAWING IS THE SOLE PROPERTY OF L&L KILN MFG INC. ANY REPRODUCTION IN PART OR AS A WHOLE WITHOUT THE WRITTEN PERMISSION OF L&L KILN MFG INC. IS PROHIBITED.

MADE FROM  
NEW

DRAWN BY  
DSL

DATE  
08/27/20

SCALE  
1:20

TITLE  
TB644754-BL (3" BRICK) DAVINCI JUMBO BELL-LIFT GENERAL DIMENSIONS

**L&L Kilns**  
hotkilns.com

505 SHARPTOWN RD  
SWEDESBORO NJ 08085  
PH: (856) 294-0077  
FAX: (856) 294-0070

REV  
A

SHEET OF  
4/4

DRAWING NO.  
325-001-86