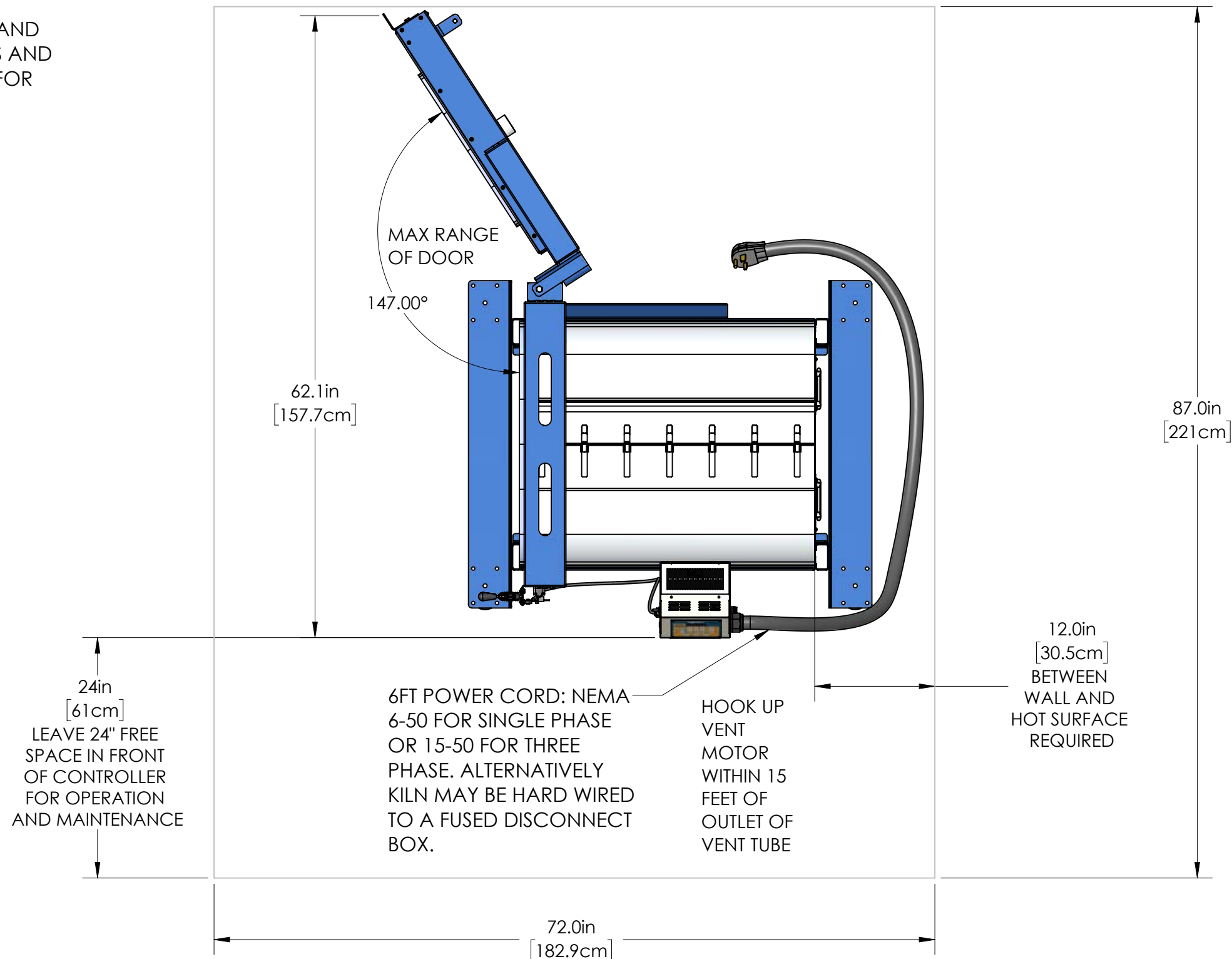


1. **WALL/KILN SPACING:** 12" [30.5cm] SPACING BETWEEN SIDES OF KILN AND WALLS OR OTHER OBJECTS. 18" [45.7cm] IS RECOMMENDED. LEAVE AT LEAST 18" [45.7cm] BETWEEN TWO KILNS.
2. **AMBIENT VENTILATION:** SEE CHART TO RIGHT FOR RATINGS. TO CALCULATE REQUIREMENTS, SEE [hotkilns.com/calculate-kiln-room-ventilation](http://hotkilns.com/calculate-kiln-room-ventilation).
3. **KILN VENTILATION:** L&L VENT-SURE KILN VENT RECOMMENDED FOR SAFETY AND LONGER ELEMENT LIFE. OPTIONAL CONTROL ALLOWS VENT TO BE TURNED ON AND OFF WITH CONTROL.
4. **OTHER INFO:** REFER TO INSTALLATION INSTRUCTIONS AND CAUTIONS INSTRUCTIONS FOR OTHER REQUIREMENTS AND SAFETY INFORMATION. REFER TO WIRING DIAGRAM FOR ELECTRICAL HOOKUP INFORMATION.
5. **MAX LOAD WEIGHT:** SEE [hotkilns.com/load-weight](http://hotkilns.com/load-weight).
6. **WEIGHT OF KILN:** 570 LBS, [259 KG]
7. **WEIGHT OF KILN WITHOUT DOOR:** 465 LBS [211 KG]
8. **WEIGHT OF DOOR:** 105 LBS [48 KG]

BTUS/ KILOJOULES PER HOUR NEEDED TO BE VENTED WITH AMBIENT ROOM VENTILATION (THIS IS IN ADDITION TO KILN VENTING):

AT TEMP F	BTUS	AT TEMP C	KILOJOULES
1800F	13132	980C	13855
2000F	15340	1095C	16184
2232F	18098	1222C	19094
2350F	19581	1285C	20659



## CLEARANCES, LAYOUT & INSTALLATION

THE INFORMATION CONTAINED IN THIS DRAWING IS THE SOLE PROPERTY OF L&L KILN MFG INC. ANY REPRODUCTION IN PART OR AS A WHOLE WITHOUT THE WRITTEN PERMISSION OF L&L KILN MFG INC. IS PROHIBITED.

DRAWN BY: DSL  
DATE: 04/15/20  
SCALE: 1:12

TITLE: eFL1626 (3" BRICK) GENERAL DIMENSIONS

**L&L Kilns**  
[hotkilns.com](http://hotkilns.com)

PH: (856) 294-0077  
FAX: (856) 294-0070

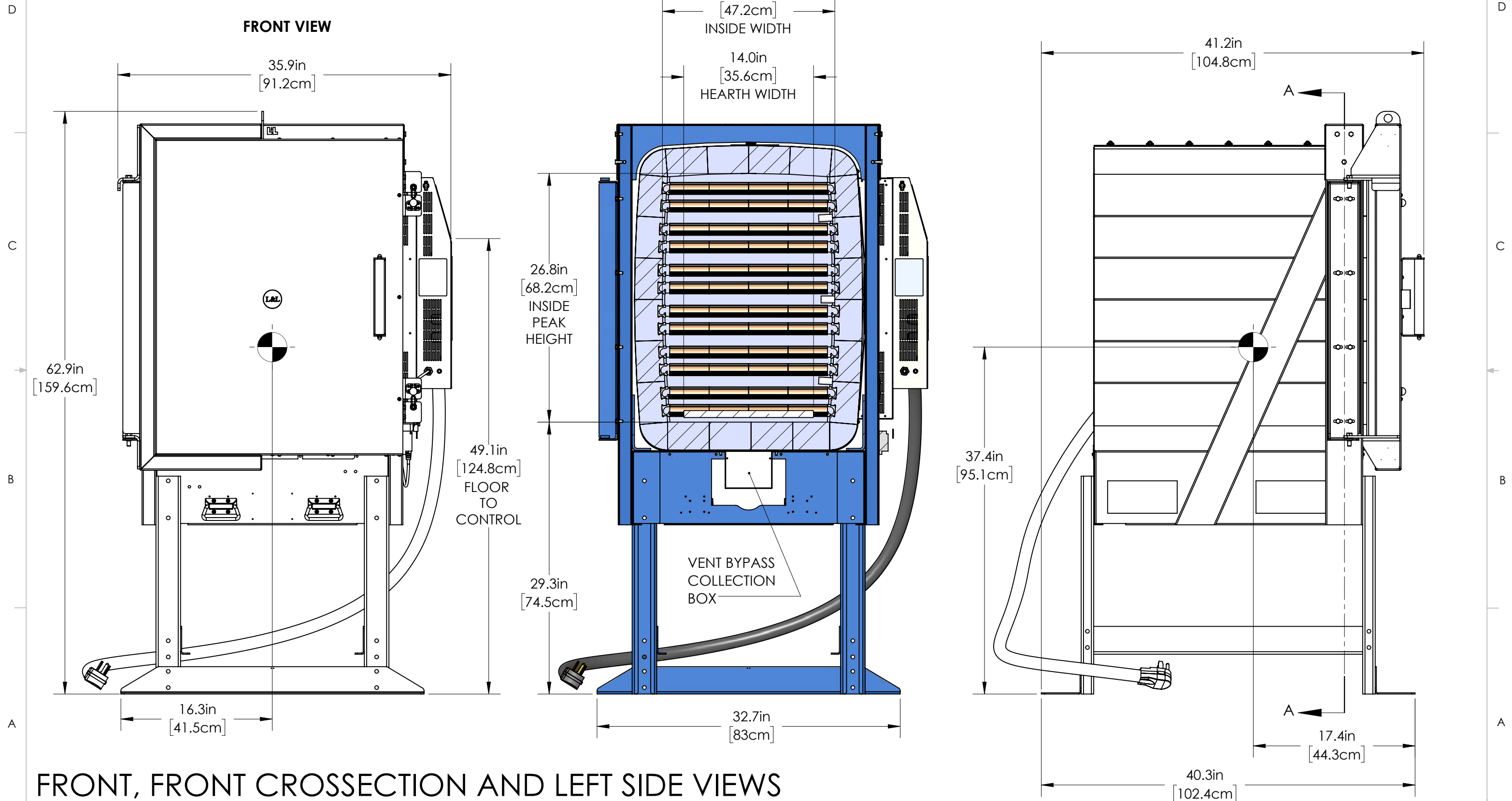
REV: C  
SHEET OF: 1/4  
DRAWING NO.: 200-000-70

APPROXIMATE CENTER OF MASS IS SHOWN WITH ROUND CROSS SYMBOLS. KILN COULD TIP OVER IF CENTER OF MASS BECOMES VERTICAL ABOVE ONE EDGE OF KILN BASE. THIS COULD CAUSE SERIOUS INJURY.

**SECTION A-A**

**LEFT SIDE VIEW**

**FRONT VIEW**



**FRONT, FRONT CROSSECTION AND LEFT SIDE VIEWS**

THE INFORMATION CONTAINED IN THIS DRAWING IS THE SOLE PROPERTY OF L&L KILN MFG INC. ANY REPRODUCTION IN PART OR AS A WHOLE WITHOUT THE WRITTEN PERMISSION OF L&L KILN MFG INC. IS PROHIBITED.

DRAWN BY: DSL  
 DATE: 11/2/17  
 SCALE: 1:10  
 TITLE: eFL1626 (3" BRICK) GENERAL DIMENSIONS

eFL1626 (3" BRICK) GENERAL DIMENSIONS



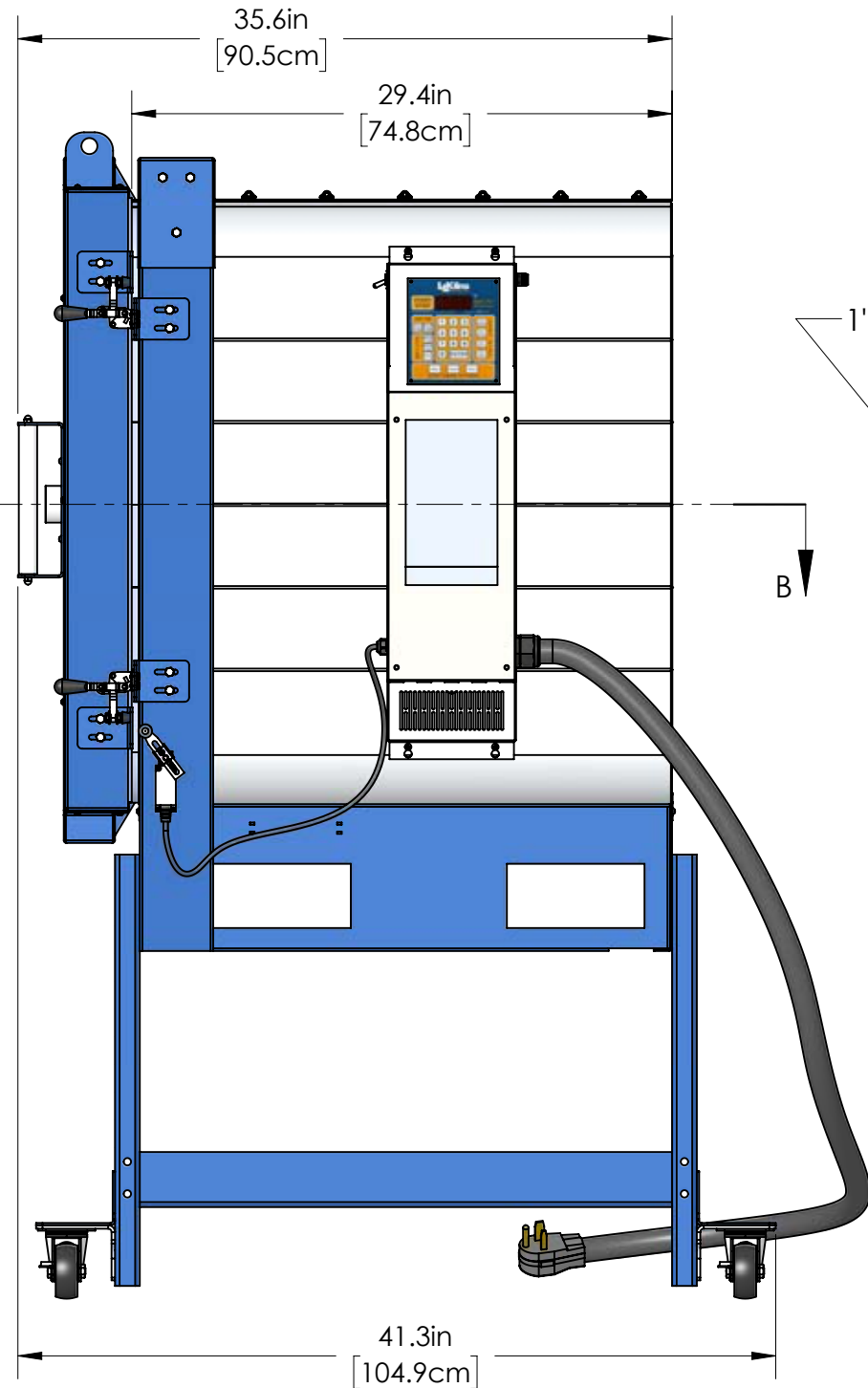
PH: (856) 294-0077  
 FAX: (856) 294-0070

REV: C  
 SHEET OF: 2/4  
 DRAWING NO.: 200-000-70

NOTE: THESE VIEWS SHOWN WITH  
OPTIONAL CASTER ASSEMBLIES

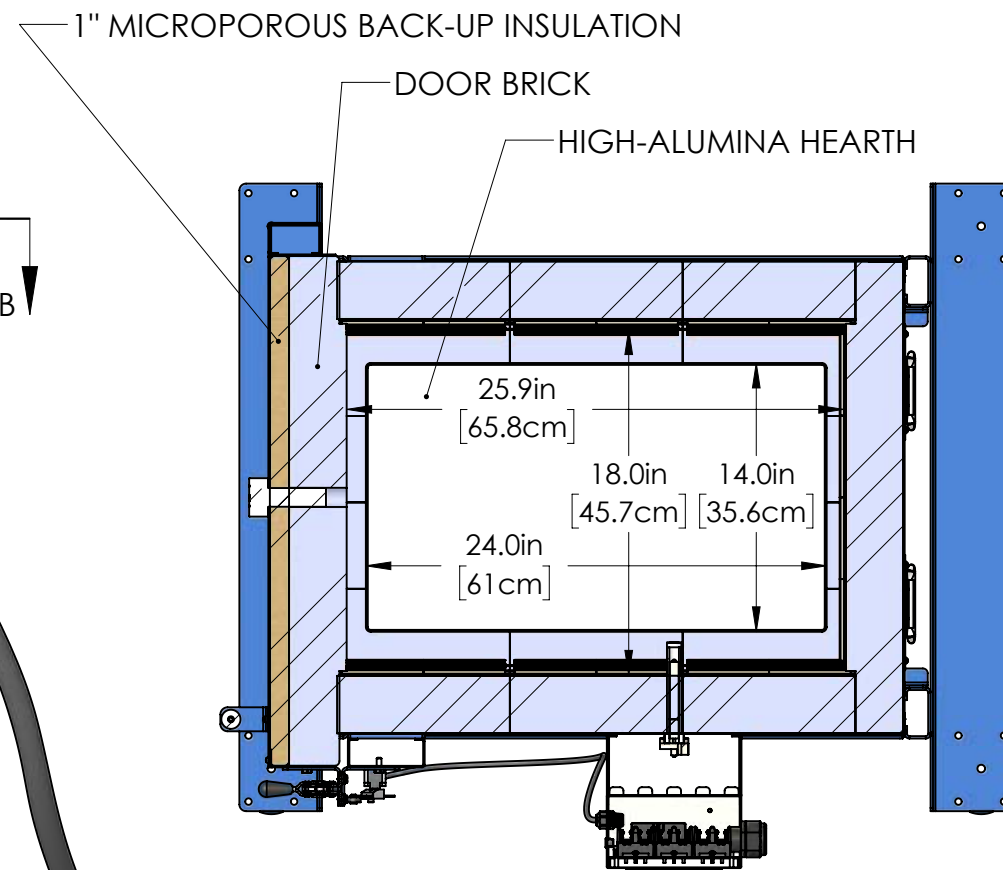
D  
C  
B  
A

**RIGHTSIDE VIEW**

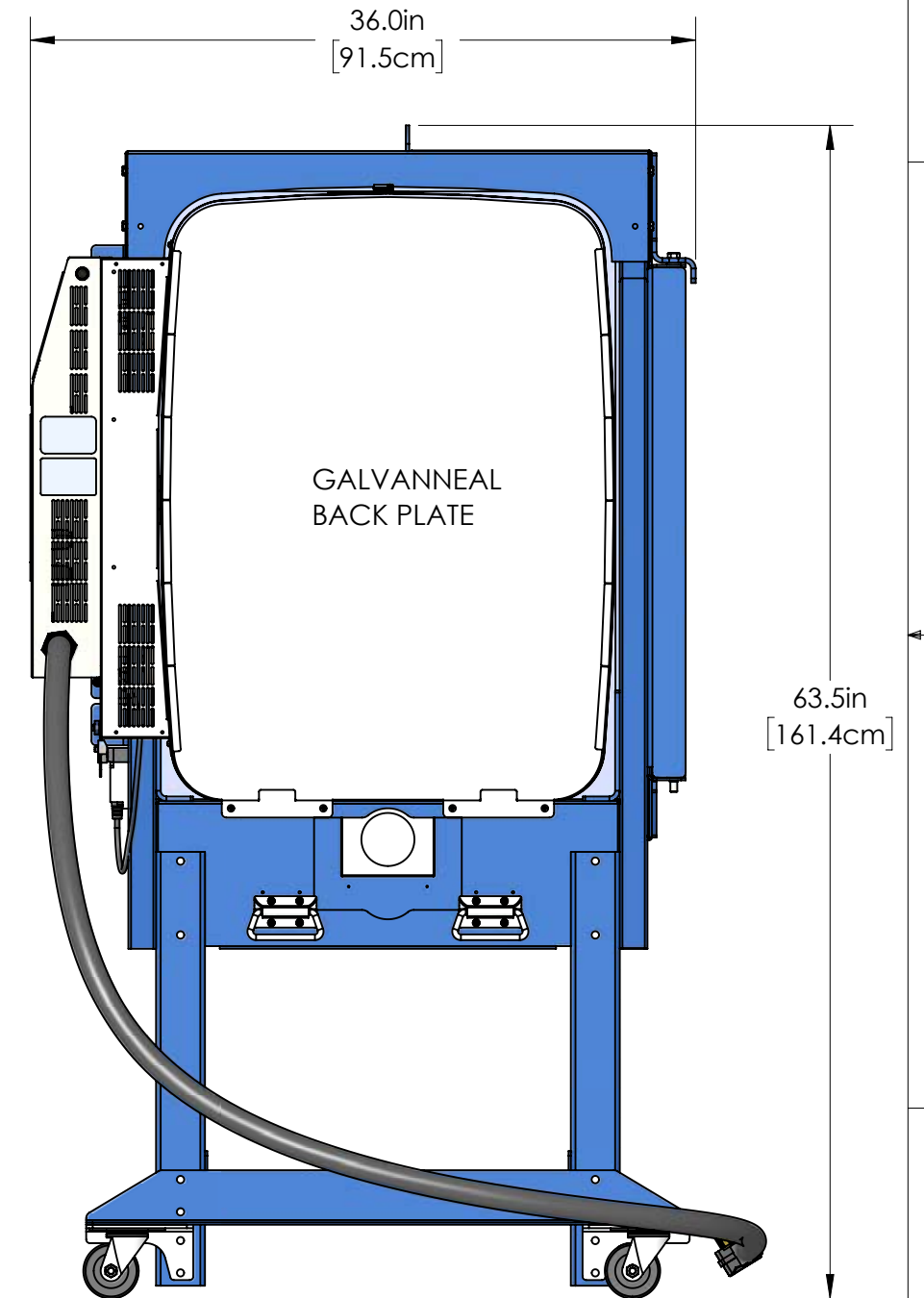


**SECTION B-B  
TOP VIEW CUTAWAY**

ALL BRICK 3" THICK



**BACK VIEW**



D  
C  
B  
A

**RIGHT SIDE, TOP CROSSSECTION & BACK VIEWS**

THE INFORMATION CONTAINED IN THIS DRAWING IS THE SOLE PROPERTY OF L&L KILN MFG INC. ANY REPRODUCTION IN PART OR AS A WHOLE WITHOUT THE WRITTEN PERMISSION OF L&L KILN MFG INC. IS PROHIBITED.

DRAWN BY: DSL  
DATE: 04/15/20  
SCALE: 1:10  
TITLE: eFL1626 (3" BRICK) GENERAL DIMENSIONS

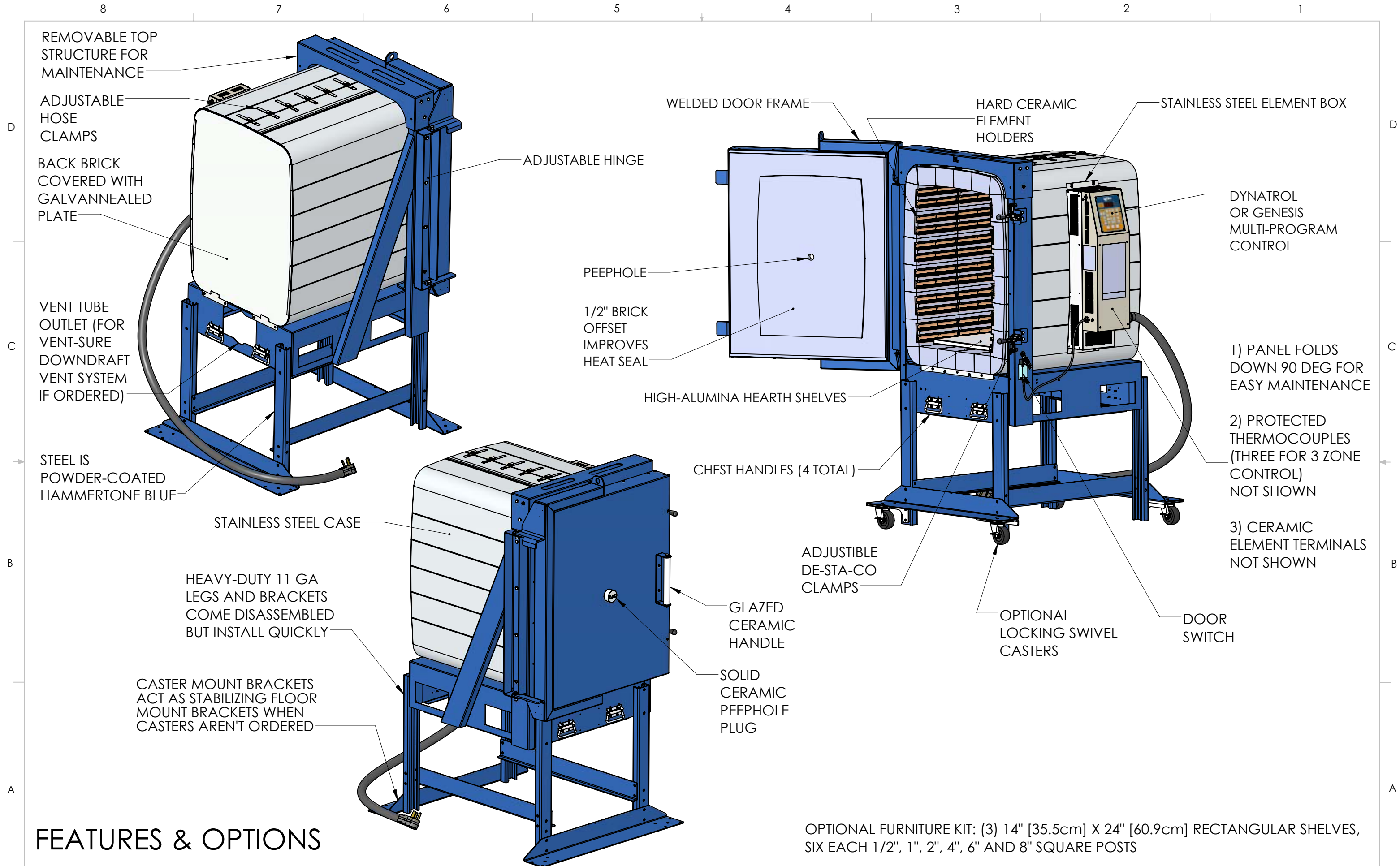
eFL1626 (3" BRICK) GENERAL DIMENSIONS

**L&L Kilns**  
hotkilns.com

PH: (856) 294-0077  
FAX: (856) 294-0070

REV: C  
SHEET OF: 3/4  
DRAWING NO.: 200-000-70

8 7 6 5 4 3 2 1



# FEATURES & OPTIONS

OPTIONAL FURNITURE KIT: (3) 14" [35.5cm] X 24" [60.9cm] RECTANGULAR SHELVES, SIX EACH 1/2", 1", 2", 4", 6" AND 8" SQUARE POSTS

THE INFORMATION CONTAINED IN THIS DRAWING IS THE SOLE PROPERTY OF L&L KILN MFG INC. ANY REPRODUCTION IN PART OR AS A WHOLE WITHOUT THE WRITTEN PERMISSION OF L&L KILN MFG INC. IS PROHIBITED.

DRAWN BY: DSL  
 DATE: 04/15/20  
 SCALE: 1:10  
 TITLE: eFL1626 (3" BRICK) GENERAL DIMENSIONS

eFL1626 (3" BRICK) GENERAL DIMENSIONS



PH: (856) 294-0077  
 FAX: (856) 294-0070

REV: C  
 SHEET OF: 4/4  
 DRAWING NO.: 200-000-70