

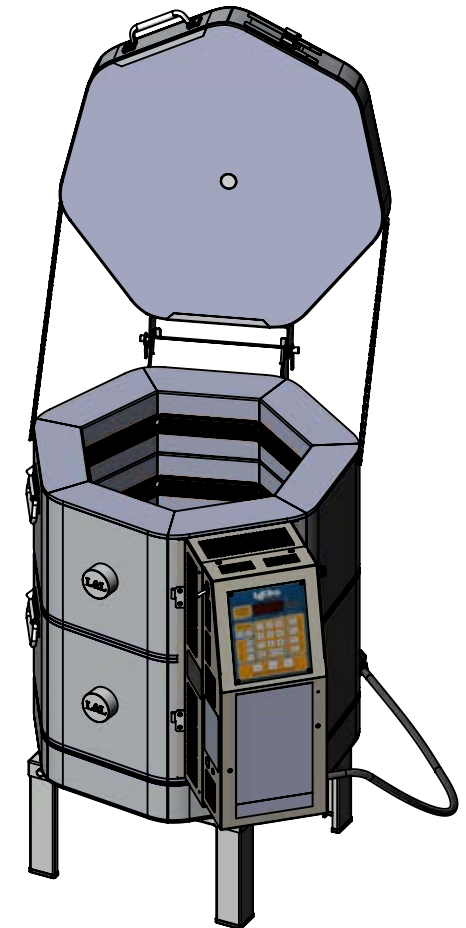
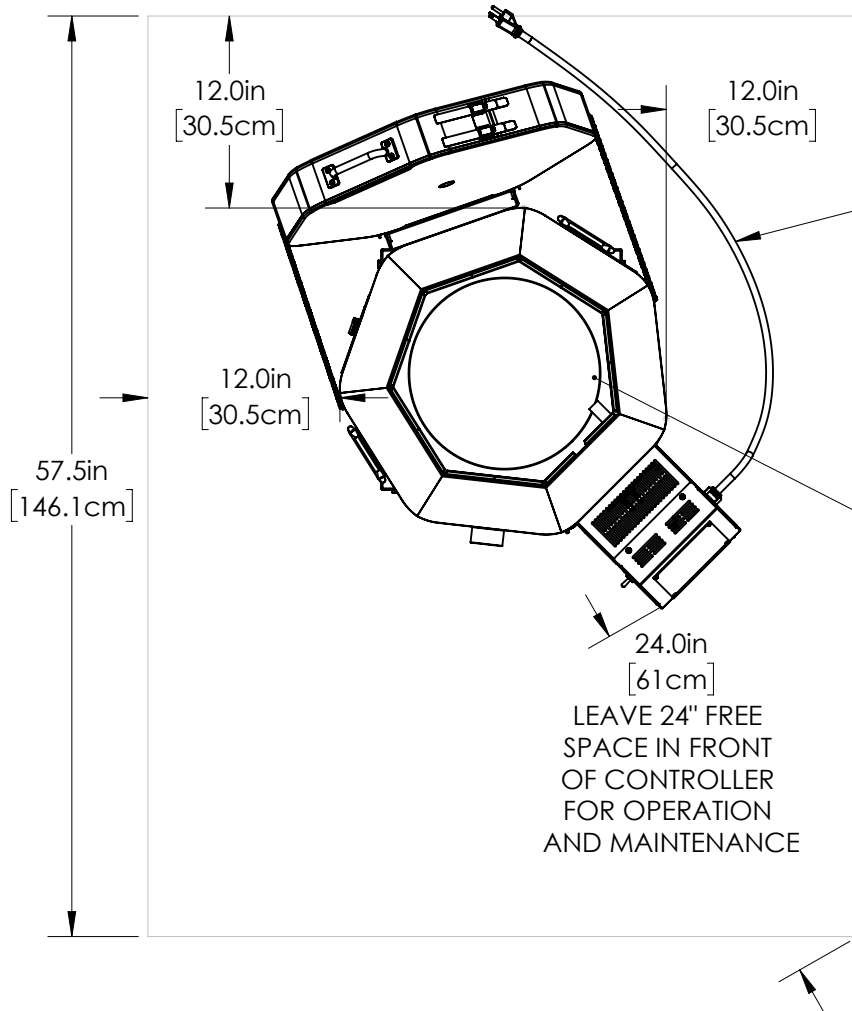
- WALL/KILN SPACING:** 12" [30.5cm] SPACING BETWEEN SIDES OF KILN AND WALLS OR OTHER OBJECTS. 18" [45.7cm] IS RECOMMENDED. LEAVE AT LEAST 18" [45.7cm] BETWEEN TWO KILNS.
- AMBIENT VENTILATION:** SEE CHART TO RIGHT FOR RATINGS. TO CALCULATE REQUIREMENTS, SEE [hotkilns.com/calculate-kiln-room-ventilation](http://hotkilns.com/calculate-kiln-room-ventilation).
- KILN VENTILATION:** e14S-3 CAN BE VENTED MANUALLY WITH THE VENT HOLE AT THE TOP BUT CAN ALSO BE FITTED WITH A VENT-SURE VENT SYSTEM .

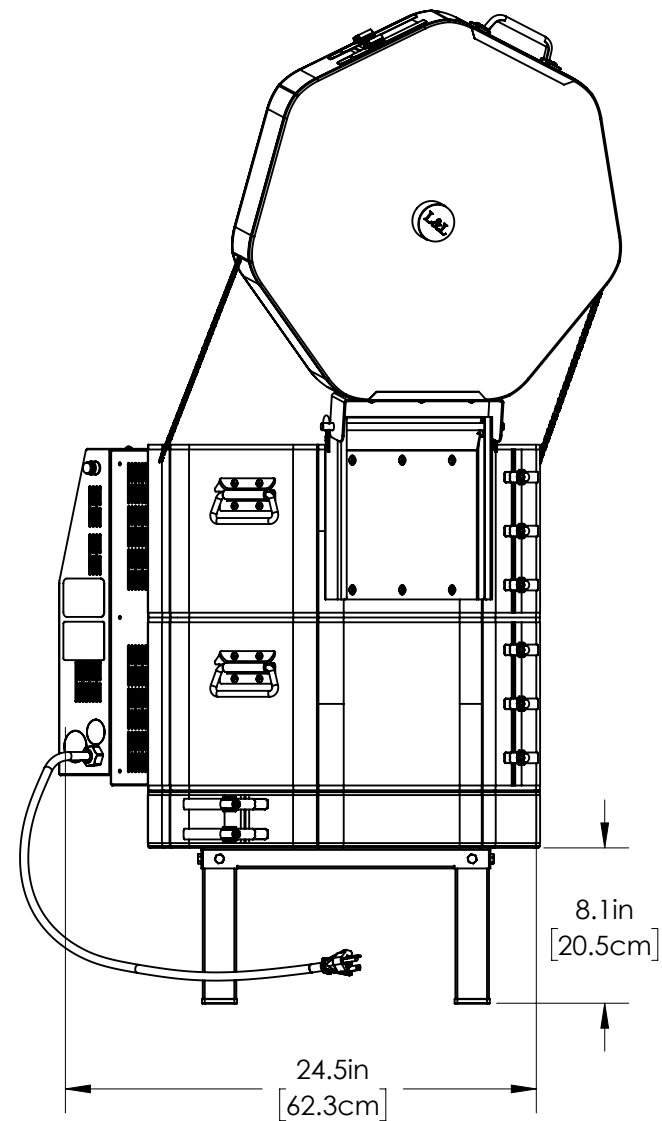
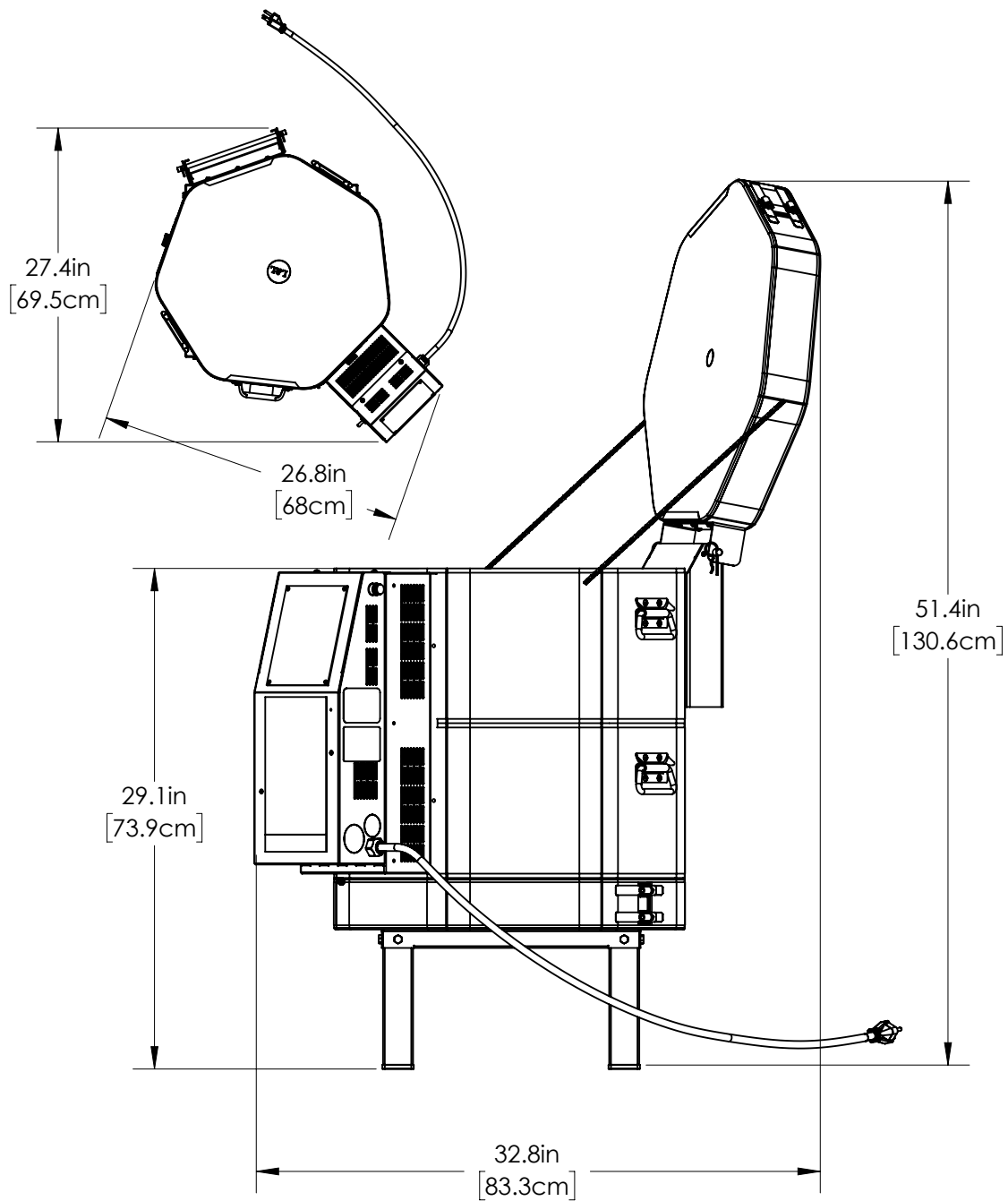
- OTHER INFO:** REFER TO INSTALLATION INSTRUCTIONS AND CAUTIONS INSTRUCTIONS FOR OTHER REQUIREMENTS AND SAFETY INFORMATION. REFER TO WIRING DIAGRAM FOR ELECTRICAL HOOKUP INFORMATION.
- MAX LOAD WEIGHT:** SEE [hotkilns.com/load-weight](http://hotkilns.com/load-weight).
- WEIGHT OF KILN:** 150 LBS, 69 KG

BTUS/ KILOJOULES PER HOUR NEEDED TO BE VENTED WITH AMBIENT ROOM VENTILATION (THIS IS IN ADDITION TO KILN VENTING):

AT TEMP F	BTUS	AT TEMP C	KILOJOULES
1800F	5280	980C	5570
2000F	6172	1095C	6512
2232F	7288	1222C	7689
2350F	7887	1285C	8322

VIEW SCALE - 1:12





MADE FROM  
NEW

DRAWN BY  
SJL

DATE  
01/06/2020

SCALE  
1:10

TITLE  
e14S-3 (3" BRICK) GENERAL DIMENSIONS

**LKilns**  
hotkilns.com

505 SHARPTOWN RD  
SWEDESBORO NJ 08085  
PH: (856) 294-0077  
FAX: (856) 294-0070

REV  
0

SHEET OF  
2/3

DRAWING NO.  
200-000-15-2

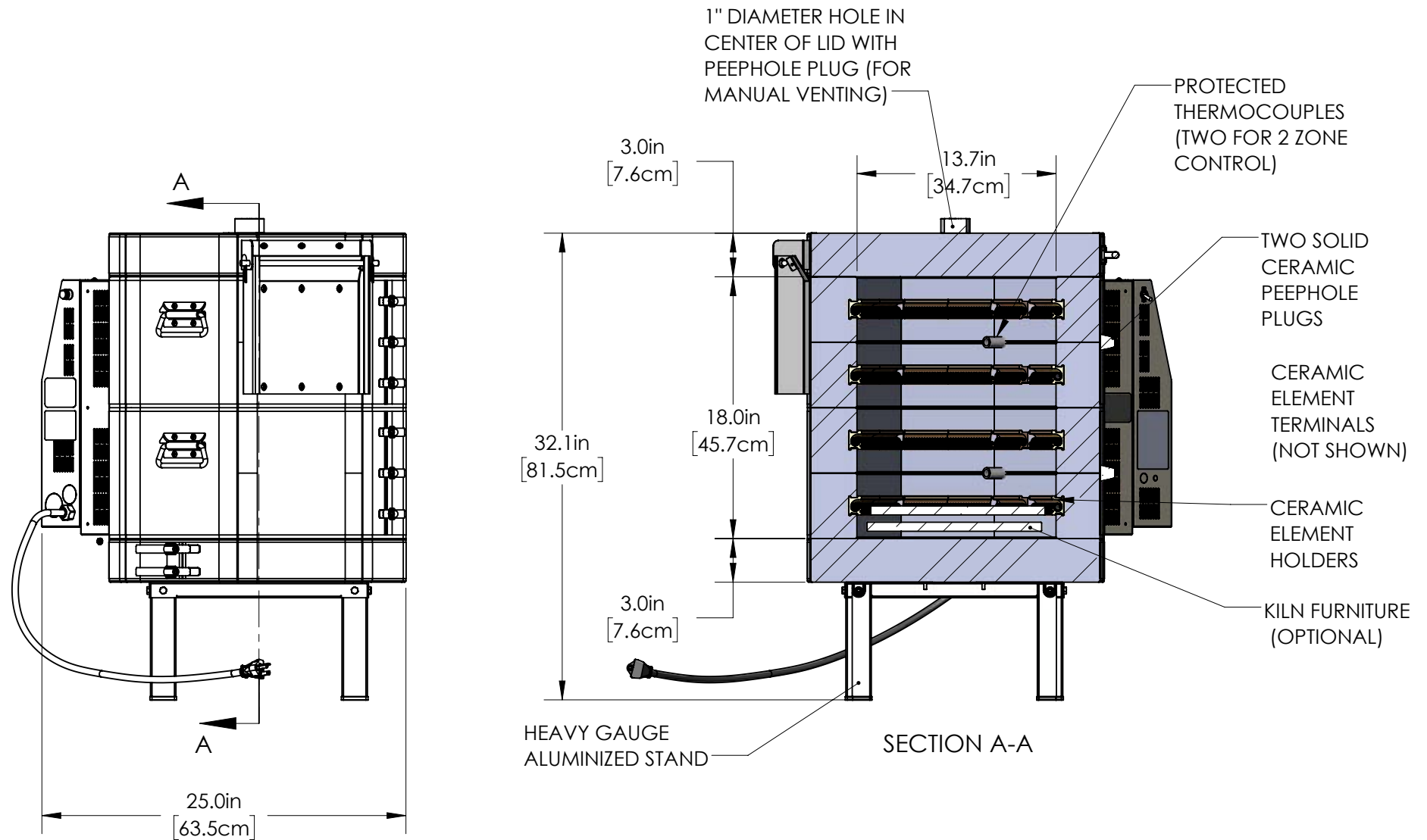
5

4

3

2

1



OPTIONAL FURNITURE KIT: (3) 12" [30.5 cm] FULL ROUND SHELVES, FOUR EACH 1/2", 1", 2", 4", 6" SQUARE POSTS

MADE FROM NEW	DRAWN BY SJL	DATE 01/06/2020	SCALE 1:10	TITLE e14S-3 (3" BRICK) GENERAL DIMENSIONS		505 SHARPTOWN RD SWEDSBORO NJ 08085 PH: (856) 294-0077 FAX: (856) 294-0070	REV 0	SHEET OF 3/3	DRAWING NO. 200-000-15-2
------------------	-----------------	--------------------	---------------	---	---	---	----------	-----------------	-----------------------------