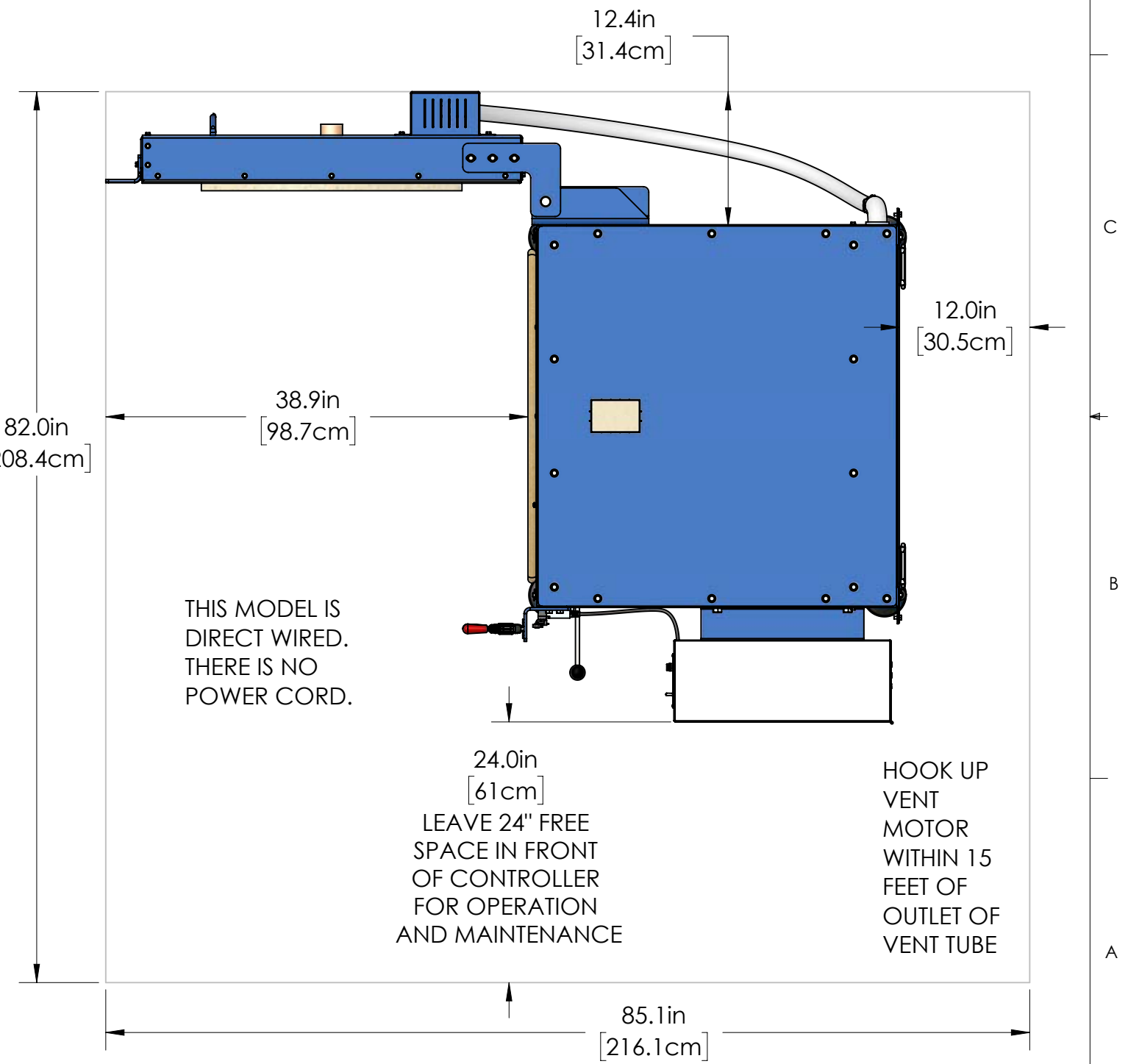
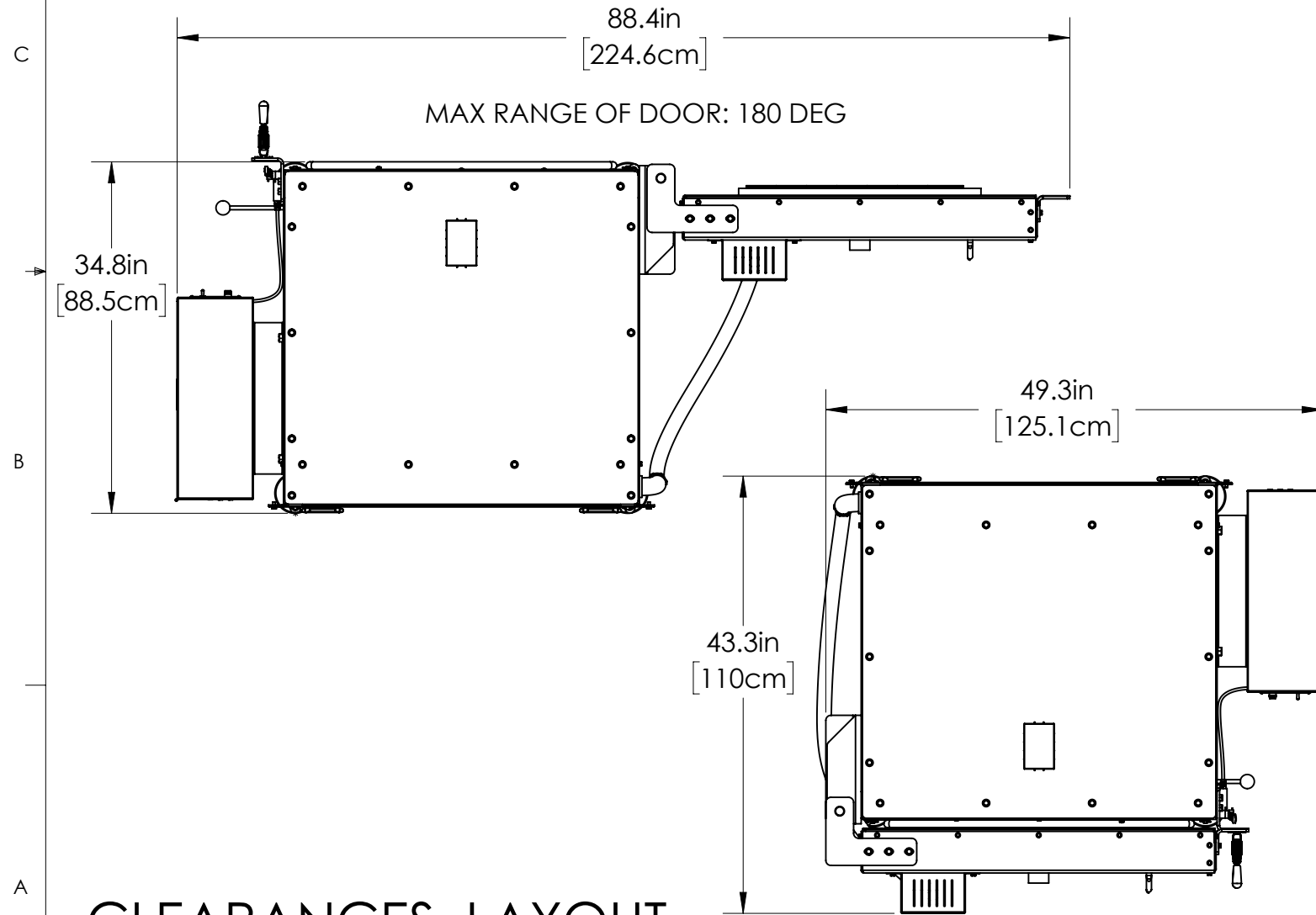


1. **WALL/KILN SPACING:** 12" [30.5cm] SPACING BETWEEN SIDES OF KILN AND WALLS OR OTHER OBJECTS. 18" [45.7cm] IS RECOMMENDED. LEAVE AT LEAST 18" [45.7cm] BETWEEN TWO KILNS.
2. **AMBIENT VENTILATION:** TO CALCULATE REQUIREMENTS, SEE [hotkilns.com/calculate-kiln-room-ventilation](http://hotkilns.com/calculate-kiln-room-ventilation).
3. **KILN VENTILATION:** L&L VENT-SURE KILN VENT RECOMMENDED FOR SAFETY AND LONGER ELEMENT LIFE. OPTIONAL CONTROL ALLOWS VENT TO BE TURNED ON AND OFF WITH CONTROL.
4. **OTHER INFO:** REFER TO INSTALLATION INSTRUCTIONS AND CAUTIONS INSTRUCTIONS FOR OTHER REQUIREMENTS AND SAFETY INFORMATION. REFER TO WIRING DIAGRAM FOR ELECTRICAL HOOKUP INFORMATION.
5. **MAX LOAD WEIGHT:** SEE [hotkilns.com/load-weight](http://hotkilns.com/load-weight).
6. **WEIGHT OF KILN:** 1230 LBS [558 KG]
7. **WEIGHT OF KILN WITHOUT DOOR:** 1000 LBS [454 KG]
8. **WEIGHT OF DOOR:** 230 LBS [104 KG]

- TO MOVE KILN THROUGH A NOMINAL 36" DOOR:**
1. REMOVE DOOR CLAMPS/BRACKETS FROM CASE
  2. TURN KILN SIDWAYS



# CLEARANCES, LAYOUT & INSTALLATION

THE INFORMATION CONTAINED IN THIS DRAWING IS THE SOLE PROPERTY OF L&L KILN MFG INC. ANY REPRODUCTION IN PART OR AS A WHOLE WITHOUT THE WRITTEN PERMISSION OF L&L KILN MFG INC. IS PROHIBITED.

DRAWN BY: DSL  
 DATE: 04/15/20  
 SCALE: 1:13  
 TITLE: EL2427 (3" BRICK) GENERAL DIMENSIONS

EL2427 (3" BRICK) GENERAL DIMENSIONS

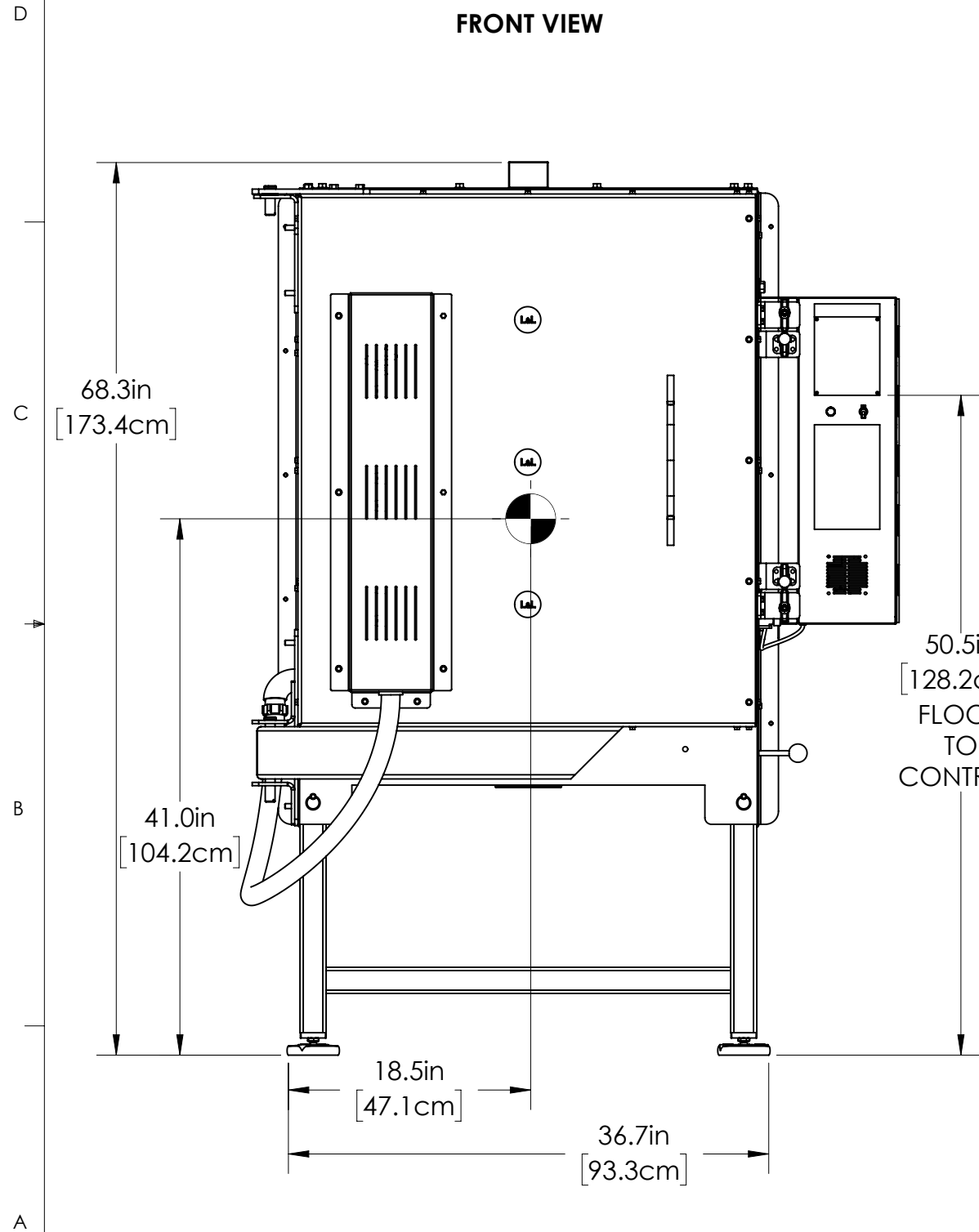


505 SHARPTOWN RD  
 SWEDESBORO NJ 08085  
 PH: (856) 294-0077  
 FAX: (856) 294-0070

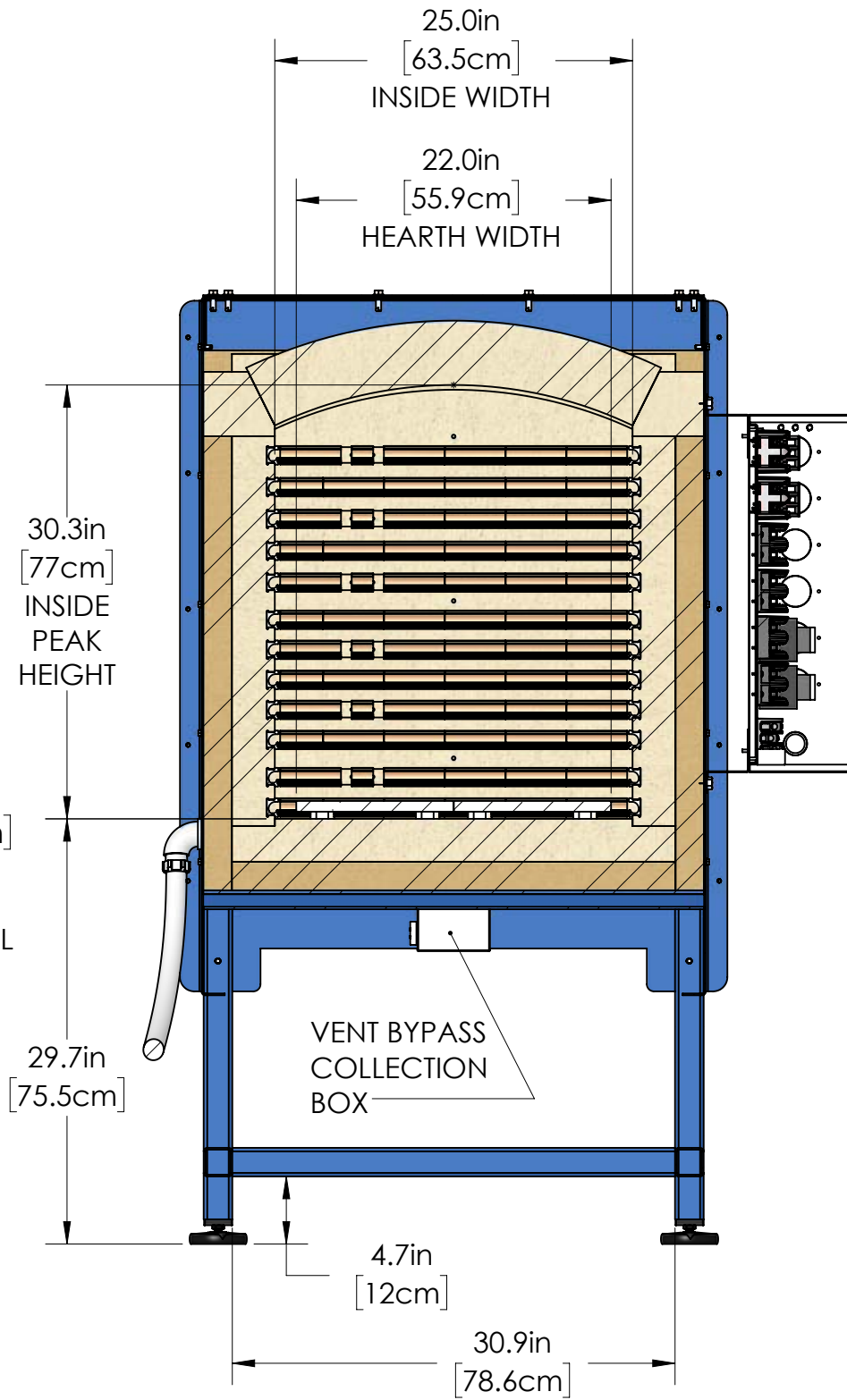
REV: B  
 SHEET OF: 1/4  
 DRAWING NO.: 10000-2

CENTER OF MASS IS SHOWN WITH ROUND CROSS SYMBOLS. KILN COULD TIP OVER IF CENTER OF MASS BECOMES VERTICAL ABOVE ONE EDGE OF KILN BASE. THIS COULD CAUSE SERIOUS INJURY.

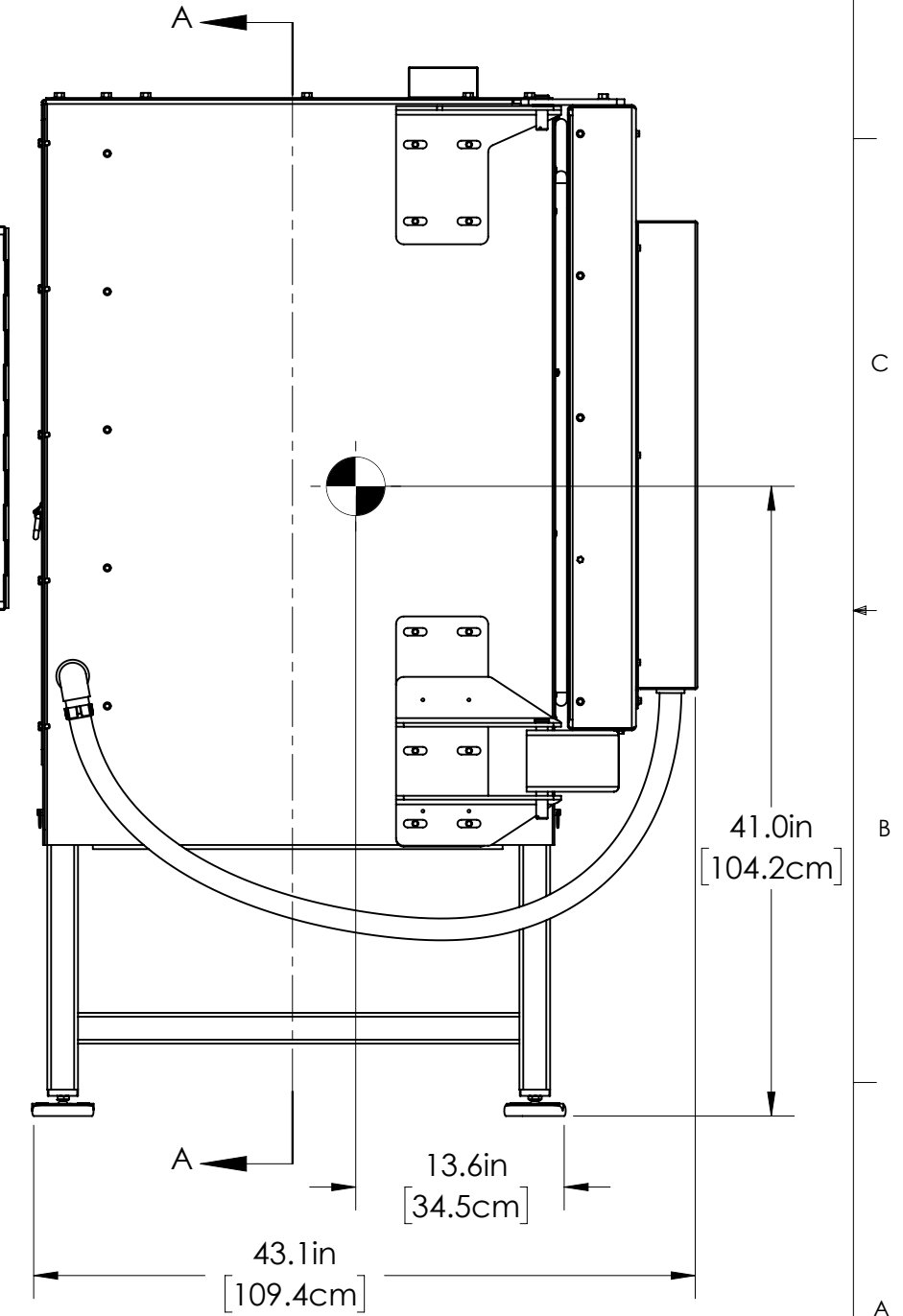
**FRONT VIEW**



**SECTION A-A**



**LEFT SIDE VIEW**



**FRONT, FRONT CROSSECTION & LEFT SIDE VIEWS**

THE INFORMATION CONTAINED IN THIS DRAWING IS THE SOLE PROPERTY OF L&L KILN MFG INC. ANY REPRODUCTION IN PART OR AS A WHOLE WITHOUT THE WRITTEN PERMISSION OF L&L KILN MFG INC. IS PROHIBITED.

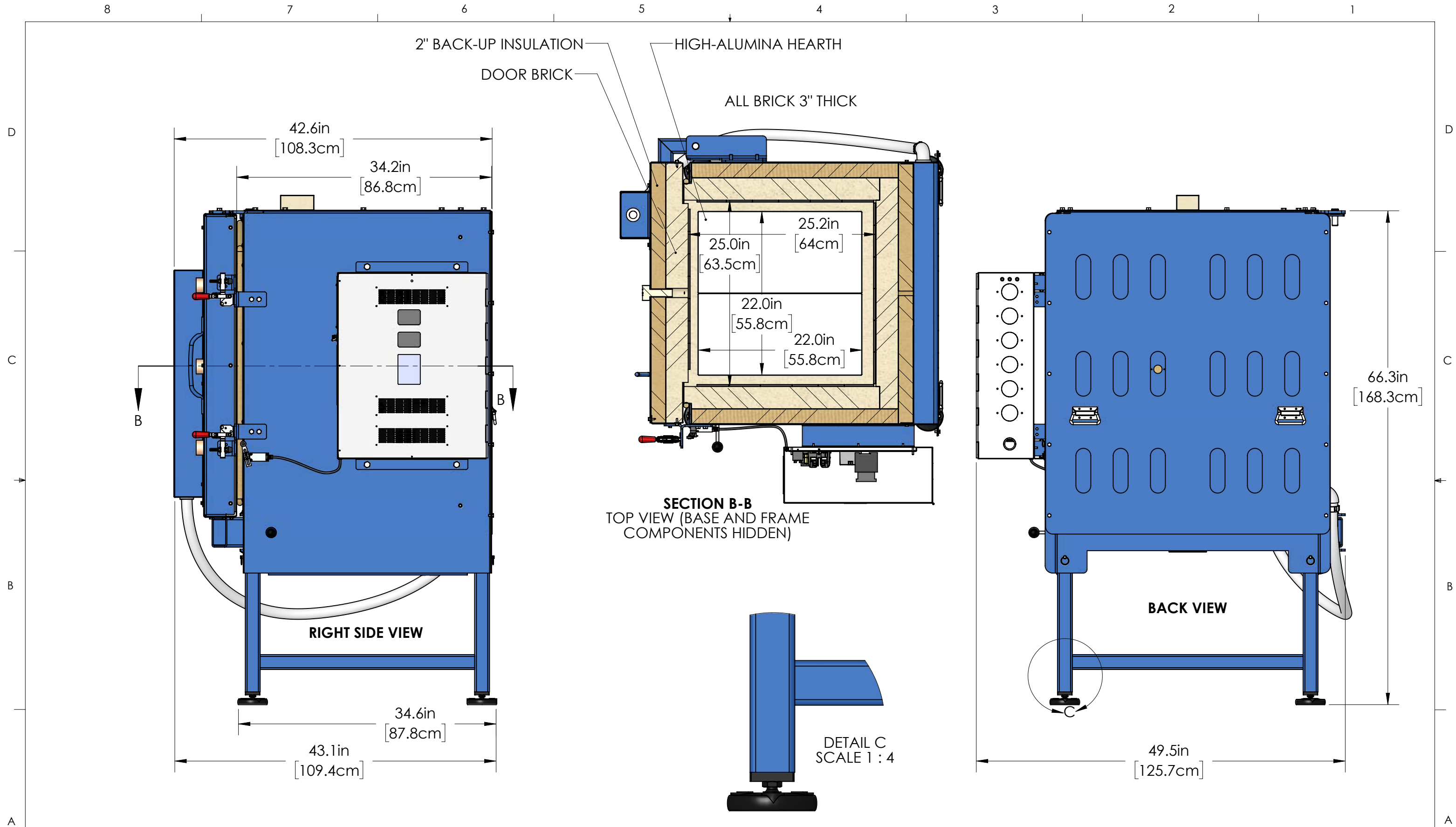
DRAWN BY: DSL  
DATE: 04/15/20  
SCALE: 1:12  
TITLE:

EL2427 (3" BRICK) GENERAL DIMENSIONS



PH: (856) 294-0077  
FAX: (856) 294-0070

REV: B  
SHEET OF: 2/4  
DRAWING NO.: 10000-2



# RIGHT SIDE, TOP CROSS-SECTION, AND BACK VIEWS

THE INFORMATION CONTAINED IN THIS DRAWING IS THE SOLE PROPERTY OF L&L KILN MFG INC. ANY REPRODUCTION IN PART OR AS A WHOLE WITHOUT THE WRITTEN PERMISSION OF L&L KILN MFG INC. IS PROHIBITED.

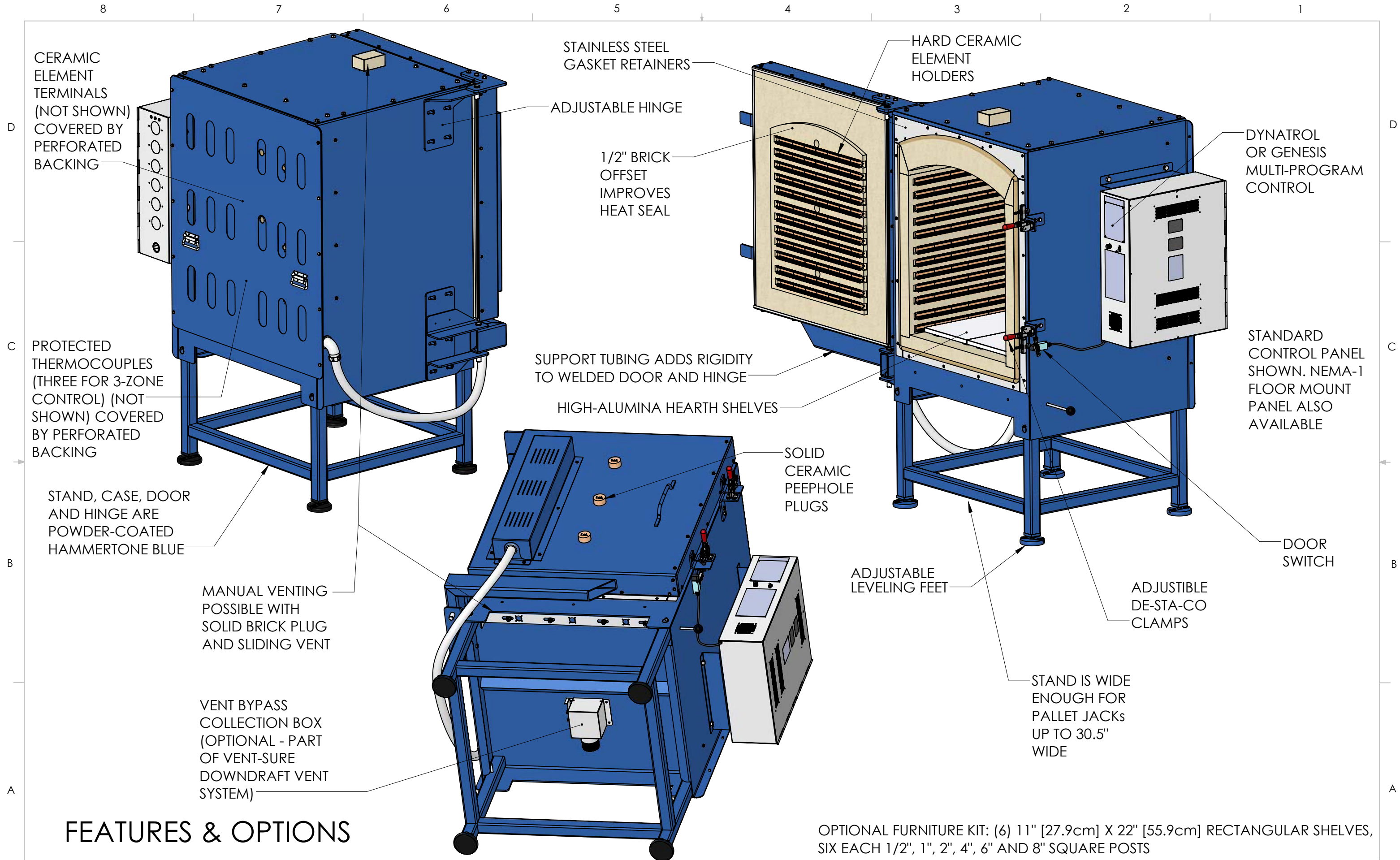
DRAWN BY: DSL  
DATE: 04/15/20  
SCALE: 1:12

TITLE: EL2427 (3" BRICK) GENERAL DIMENSIONS



PH: (856) 294-0077  
FAX: (856) 294-0070

REV: B  
SHEET OF: 3/4  
DRAWING NO.: 10000-2



# FEATURES & OPTIONS

THE INFORMATION CONTAINED IN THIS DRAWING IS THE SOLE PROPERTY OF L&L KILN MFG INC. ANY REPRODUCTION IN PART OR AS A WHOLE WITHOUT THE WRITTEN PERMISSION OF L&L KILN MFG INC. IS PROHIBITED.

DRAWN BY: DSL  
 DATE: 04/15/20  
 SCALE: 1:14  
 TITLE:

EL2427 (3" BRICK) GENERAL DIMENSIONS



PH: (856) 294-0077  
 FAX: (856) 294-0070

REV: B  
 SHEET OF: 4/4  
 DRAWING NO.: 10000-2